

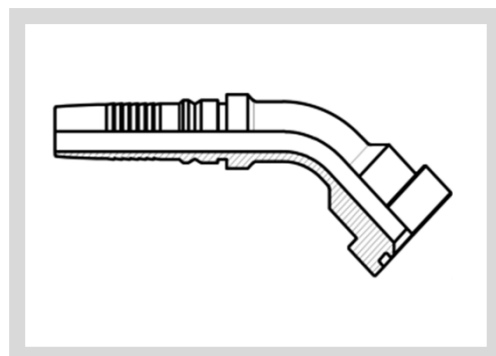


15SH..PHC

FLANGE

RECHTE FLENSAANSLUITING CATERPILLAR
EMBOUT A BRIDE DROIT CATERPILLAR
FLANGE CATERPILLAR



| Referentie Référence Reference |  | | | Flange |  BAR |
|--------------------------------------|---|------|--------|---------------|--|
| | DN | MM | INCH | | |
| 15SH1212PHC | 20 | 19,0 | 3/4" | 3/4" - 41.3 | 420 |
| 15SH1216PHC | 20 | 19,0 | 3/4" | 1" - 47.6 | 420 |
| 15SH1616PHC | 25 | 25,4 | 1" | 1" - 47.6 | 420 |
| 15SH1620PHC | 25 | 25,4 | 1" | 1 1/4" - 54.0 | 420 |
| 15SH2020PHC | 32 | 31,8 | 1 1/4" | 1 1/4" - 54.0 | 420 |
| 15SH2024PHC | 32 | 31,8 | 1 1/4" | 1 1/2" - 63.5 | 420 |
| 15SH2424PHC | 38 | 38,1 | 1 1/2" | 1 1/2" - 63.5 | 350 |

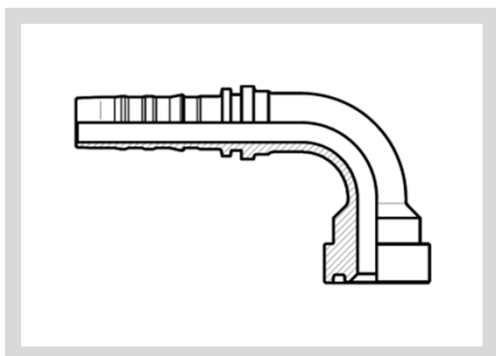


15SH..PHC45

FLANGE

FLENSAANSLUITING CATERPILLAR 45°
EMBOUT A BRIDE CATERPILLAR 45°
FLANGE CATERPILLAR 45°

| Referentie Référence Reference |  | | | Flange |  BAR |
|--------------------------------------|---|------|--------|---------------|--|
| | DN | MM | INCH | | |
| 15SH1212PHC45 | 20 | 19,0 | 3/4" | 3/4" - 41.3 | 420 |
| 15SH1216PHC45 | 20 | 19,0 | 3/4" | 1" - 47.6 | 420 |
| 15SH1616PHC45 | 25 | 25,4 | 1" | 1" - 47.6 | 420 |
| 15SH1620PHC45 | 25 | 25,4 | 1" | 1 1/4" - 54.0 | 420 |
| 15SH2020PHC45 | 32 | 31,8 | 1 1/4" | 1 1/4" - 54.0 | 420 |
| 15SH2024PHC45 | 32 | 31,8 | 1 1/4" | 1 1/2" - 63.5 | 420 |
| 15SH2424PHC45 | 38 | 38,1 | 1 1/2" | 1 1/2" - 63.5 | 350 |





15SH..PHC90

FLANGE

FLENSAANSLUITING CATERPILLAR 90°

EMBOUT A BRIDE CATERPILLAR 90°

FLANGE CATERPILLAR 90°

| Referentie Référence Reference |  | | |  | |
|--------------------------------------|---|------|--------|---|--------|
| | DN | MM | INCH | | Flange |
| 15SH1212PHC90 | 20 | 19,0 | 3/4" | 3/4" - 41.3 | 420 |
| 15SH1216PHC90 | 20 | 19,0 | 3/4" | 1" - 47.6 | 420 |
| 15SH1616PHC90 | 25 | 25,4 | 1" | 1" - 47.6 | 415 |
| 15SH1620PHC90 | 25 | 25,4 | 1" | 1 1/4" - 54.0 | 415 |
| 15SH2020PHC90 | 32 | 31,8 | 1 1/4" | 1 1/4" - 54.0 | 415 |
| 15SH2024PHC90 | 32 | 31,8 | 1 1/4" | 1 1/2" - 63.5 | 415 |
| 15SH2424PHC90 | 38 | 38,1 | 1 1/2" | 1 1/2" - 63.5 | 415 |