

15SH..PA

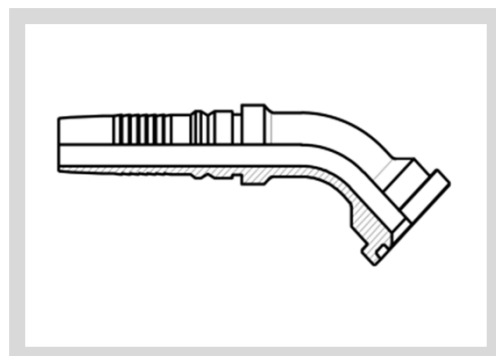
FLANGE 3000psi

SAE RECHTE FLENSAANSLUITING

EMBOUT A BRIDE SAE DROIT

STRAIGHT SAE FLANGE

Referentie Référence Reference				Flange	 BAR
	DN	MM	INCH		
15SH1212PA	20	19,0	3/4"	3/4" - 38.1	350
15SH1216PA	20	19,0	3/4"	1" - 44.5	350
15SH1612PA	25	25,4	1"	3/4" - 38.1	350
15SH1616PA	25	25,4	1"	1" - 44.5	350
15SH1620PA	25	25,4	1"	1 1/4" - 50.8	280
15SH2020PA	32	31,8	1 1/4"	1 1/4" - 50.8	280
15SH2024PA	32	31,8	1 1/4"	1 1/2" - 60.3	210
15SH2424PA	38	38,1	1 1/2"	1 1/2" - 60.3	210
15SH2432PA	38	38,1	1 1/2"	2" - 71.4	210
15SH3232PA	50	50,8	2"	2" - 71.4	210



15SH..PA45

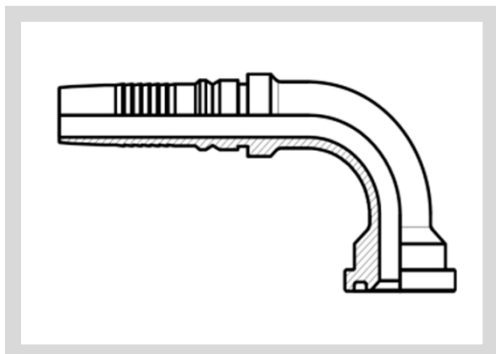
FLANGE 3000psi

SAE FLENSAANSLUITING 45°

EMBOUT A BRIDE SAE 45°

SAE FLANGE 45°

Referentie Référence Reference				Flange	 BAR
	DN	MM	INCH		
15SH1212PA45	20	19,0	3/4"	3/4" - 38.1	350
15SH1216PA45	20	19,0	3/4"	1" - 44.5	350
15SH1612PA45	25	25,4	1"	3/4" - 38.1	350
15SH1616PA45	25	25,4	1"	1" - 44.5	350
15SH1620PA45	25	25,4	1"	1 1/4" - 50.8	280
15SH2020PA45	32	31,8	1 1/4"	1 1/4" - 50.8	280
15SH2024PA45	32	31,8	1 1/4"	1 1/2" - 60.3	210
15SH2424PA45	38	38,1	1 1/2"	1 1/2" - 60.3	210
15SH2432PA45	38	38,1	1 1/2"	2" - 71.4	210
15SH3232PA45	50	50,8	2"	2" - 71.4	210





15SH..PA90

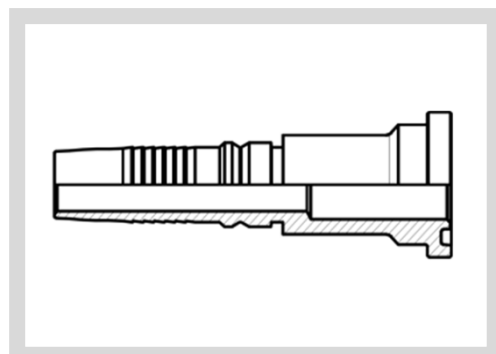
FLANGE 3000psi

SAE FLENSAANSLUITING 90°

EMBOUT A BRIDE DROIT SAE 90°

SAE FLANGE 90°

Referentie Référence Reference					
	DN	MM	INCH		Flange
15SH1212PA90	20	19,0	3/4"	3/4" - 38.1	350
15SH1216PA90	20	19,0	3/4"	1" - 44.5	350
15SH1612PA90	25	25,4	1"	3/4" - 38.1	350
15SH1616PA90	25	25,4	1"	1" - 44.5	350
15SH1620PA90	25	25,4	1"	1 1/4" - 50.8	280
15SH2020PA90	32	31,8	1 1/4"	1 1/4" - 50.8	280
15SH2024PA90	32	31,8	1 1/4"	1 1/2" - 60.3	210
15SH2424PA90	38	38,1	1 1/2"	1 1/2" - 60.3	210
15SH2432PA90	38	38,1	1 1/2"	2" - 71.4	210
15SH3232PA90	50	50,8	2"	2" - 71.4	210





15SH..PH

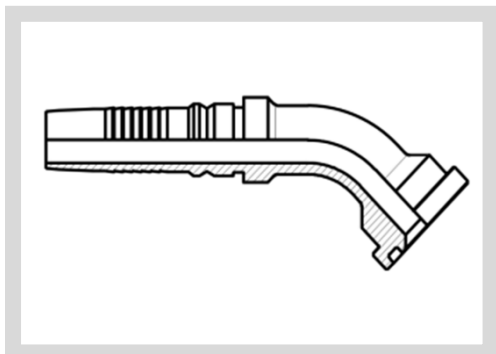
FLANGE 6000psi

RECHTE SAE FLENSAANSLUITING

EMBOUT A BRIDE DROIT SAE

SAE FLANGE

Referentie Référence Reference					
	DN	MM	INCH		Flange
15SH1212PH	20	19,0	3/4"	3/4" - 41.3	420
15SH1216PH	20	19,0	3/4"	1" - 47.6	420
15SH1612PH	25	25,4	1"	3/4" - 41.3	415
15SH1616PH	25	25,4	1"	1" - 47.6	415
15SH1620PH	25	25,4	1"	1 1/4" - 54.0	415
15SH2020PH	32	31,8	1 1/4"	1 1/4" - 54.0	415
15SH2024PH	32	31,8	1 1/4"	1 1/2" - 63.5	415
15SH2424PH	38	38,1	1 1/2"	1 1/2" - 63.5	415
15SH3232PH	50	50,8	2"	2" - 79.4	345





15SH..PH45

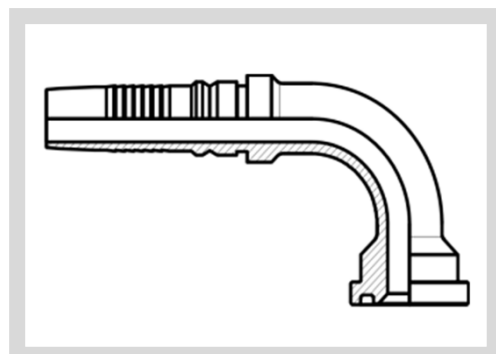
FLANGE 6000psi

SAE FLENSAANSLUITING 45°

EMBOUT A BRIDE SAE 45°

SAE FLANGE 45°

Referentie Référence Reference				Flange	 BAR
	DN	MM	INCH		
15SH1212PH45	20	19,0	3/4"	3/4" - 41.3	420
15SH1216PH45	20	19,0	3/4"	1" - 47.6	420
15SH1612PH45	25	25,4	1"	3/4" - 41.3	415
15SH1616PH45	25	25,4	1"	1" - 47.6	415
15SH1620PH45	25	25,4	1"	1 1/4" - 54.0	415
15SH2020PH45	32	31,8	1 1/4"	1 1/4" - 54.0	415
15SH2024PH45	32	31,8	1 1/4"	1 1/2" - 63.5	415
15SH2424PH45	38	38,1	1 1/2"	1 1/2" - 63.5	415
15SH3232PH45	50	50,8	2"	2" - 79.4	345





15SH..PH90

FLANGE 6000psi

SAE FLENSAANSLUITING 90°

EMBOUT A BRIDE DROIT SAE 90°

SAE FLANGE 90°

Referentie Référence Reference				Flange	 BAR
	DN	MM	INCH		
15SH1212PH90	20	19,0	3/4"	3/4" - 41.3	420
15SH1216PH90	20	19,0	3/4"	1" - 47.6	420
15SH1612PH90	25	25,4	1"	3/4" - 41.3	415
15SH1616PH90	25	25,4	1"	1" - 47.6	415
15SH1620PH90	25	25,4	1"	1 1/4" - 54.0	415
15SH2020PH90	32	31,8	1 1/4"	1 1/4" - 54.0	415
15SH2024PH90	32	31,8	1 1/4"	1 1/2" - 63.5	415
15SH2424PH90	38	38,1	1 1/2"	1 1/2" - 63.5	415
15SH3232PH90	50	50,8	2"	2" - 79.4	345