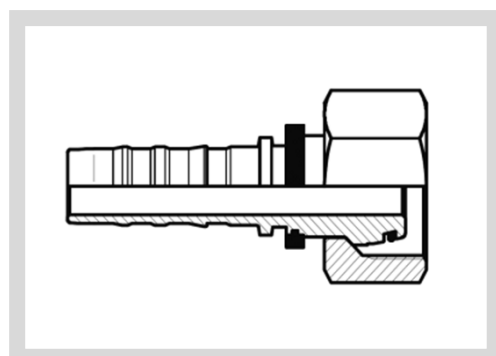


EH..MZ

M-MET-24

MANNELIJK METRISCH
METRIQUE MÂLE
METRIC MALE HEAVY DUTY

Referentie Référence Reference					
	DN	MM	INCH	M-MET-24	BAR
EH1220MZ30B	20	19,0	3/4"	M30x2 - 20S	420
EH1225MZ36B	20	19,0	3/4"	M36x2 - 25S	420
EH1625MZ36B	25	25,4	1"	M36x2 - 25S	380
EH1630MZ42B	25	25,4	1"	M42x2 - 30S	380
EH2030MZ42B	32	31,8	1 1/4"	M42x2 - 30S	325
EH2038MZ52B	32	31,8	1 1/4"	M52x2 - 38S	325
EH2438MZ52B	38	38,1	1 1/2"	M52x2 - 38S	290

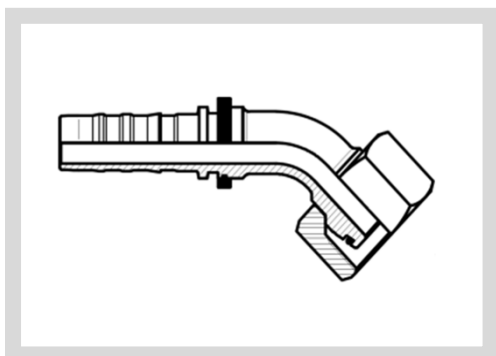


EH..RO

F-MET-24

VROUWELIJK METRISCH
ECROU TOURNANT METRIQUE
METRIC SWIVEL HEAVY DUTY

Referentie Référence Reference					
	DN	MM	INCH	F-MET-24	BAR
EH1220RO30B	20	19,0	3/4"	M30x2 - 20S	420
EH1225RO36B	20	19,0	3/4"	M36x2 - 25S	420
EH1625RO36B	25	25,4	1"	M36x2 - 25S	380
EH1630RO42B	25	25,4	1"	M42x2 - 30S	380
EH2030RO42B	32	31,8	1 1/4"	M42x2 - 30S	325
EH2038RO52B	32	31,8	1 1/4"	M52x2 - 38S	325
EH2438RO52B	38	38,1	1 1/2"	M52x2 - 38S	290

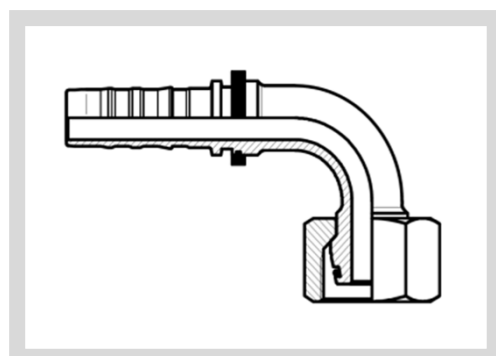


EH..RO..45

F-MET-24

VROUWELIJK 45° METRISCH
ECROU TOURNANT METRIQUE 45°
METRIC SWIVEL HEAVY DUTY 45°

Referentie Référence Reference					
	DN	MM	INCH	F-MET-24	BAR
EH1220RO30B45	20	19,0	3/4"	M30x2 - 20S	420
EH1225RO36B45	20	19,0	3/4"	M36x2 - 25S	420
EH1625RO36B45	25	25,4	1"	M36x2 - 25S	380
EH1630RO42B45	25	25,4	1"	M42x2 - 30S	380
EH2030RO42B45	32	31,8	1 1/4"	M42x2 - 30S	325
EH2038RO52B45	32	31,8	1 1/4"	M52x2 - 38S	325
EH2438RO52B45	38	38,1	1 1/2"	M52x2 - 38S	290



EH..RO..90

F-MET-24

VROUWELIJK 90° METRISCH
ECROU TOURNANT METRIQUE 90°
METRIC SWIVEL HEAVY DUTY 90°

Referentie Référence Reference					
	DN	MM	INCH	F-MET-24	BAR
EH1220RO30B90	20	19,0	3/4"	M30x2 - 20S	420
EH1225RO36B90	20	19,0	3/4"	M36x2 - 25S	420
EH1625RO36B90	25	25,4	1"	M36x2 - 25S	380
EH1630RO42B90	25	25,4	1"	M42x2 - 30S	380
EH2030RO42B90	32	31,8	1 1/4"	M42x2 - 30S	325
EH2038RO52B90	32	31,8	1 1/4"	M52x2 - 38S	325
EH2438RO52B90	38	38,1	1 1/2"	M52x2 - 38S	290