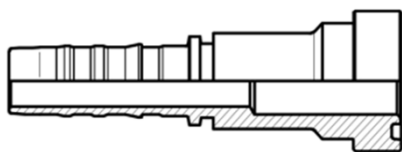


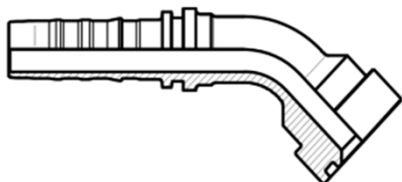
EH..PHC

FLANGE

RECHTE CATERPILLAR FLENSKOPPELING
EMBOUT A BRIDE CATERPILLAR
CATERPILLAR FLANGE



Referentie Référence Reference				Flange	 BAR
	DN	MM	INCH		
EH1212PHC	20	19,0	3/4"	3/4" - 41.3	420
EH1216PHC	20	19,0	3/4"	1" - 47.6	420
EH1616PHC	25	25,4	1"	1" - 47.6	415
EH1620PHC	25	25,4	1"	1 1/4" - 54.0	415
EH2020PHC	32	31,8	1 1/4"	1 1/4" - 54.0	415
EH2024PHC	32	31,8	1 1/4"	1 1/2" - 63.5	415
EH2424PHC	38	38,1	1 1/2"	1 1/2" - 63.5	415
EH2432PHC	38	38,1	1 1/2"	2" - 79.4	415
EH3232PHC	50	50,8	2"	2" - 79.4	345

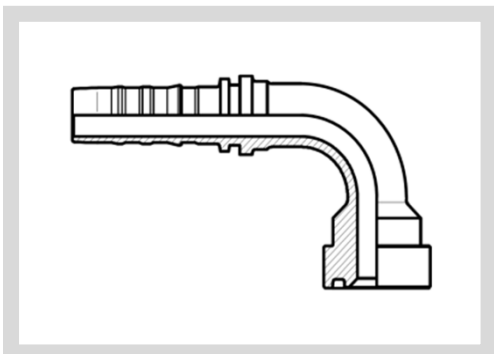


EH..PHC45

FLANGE

45° CATERPILLAR FLENSKOPPELING
EMBOUT A BRIDE 45° CATERPILLAR
CATERPILLAR FLANGE 45°

Referentie Référence Reference				Flange	 BAR
	DN	MM	INCH		
EH1212PHC45	20	19,0	3/4"	3/4" - 41.3	420
EH1216PHC45	20	19,0	3/4"	1" - 47.6	420
EH1616PHC45	25	25,4	1"	1" - 47.6	415
EH1620PHC45	25	25,4	1"	1 1/4" - 54.0	415
EH2020PHC45	32	31,8	1 1/4"	1 1/4" - 54.0	415
EH2024PHC45	32	31,8	1 1/4"	1 1/2" - 63.5	415
EH2424PHC45	38	38,1	1 1/2"	1 1/2" - 63.5	415
EH2432PHC45	38	38,1	1 1/2"	2" - 79.4	415
EH3232PHC45	50	50,8	2"	2" - 79.4	345

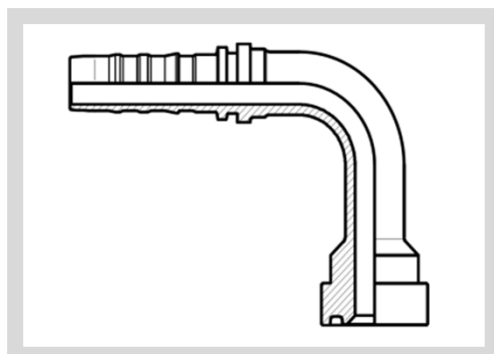


EH..PHC90

FLANGE

90° CATERPILLAR FLENSKOPPELING
EMBOUT A BRIDE 90° CATERPILLAR
CATERPILLAR FLANGE 90°

Referentie Référence Reference				Flange	 MAX.
	DN	MM	INCH		
EH1212PHC90	20	19,0	3/4"	3/4" - 41.3	420
EH1216PHC90	20	19,0	3/4"	1" - 47.6	420
EH1616PHC90	25	25,4	1"	1" - 47.6	415
EH1620PHC90	25	25,4	1"	1 1/4" - 54.0	415
EH2020PHC90	32	31,8	1 1/4"	1 1/4" - 54.0	415
EH2024PHC90	32	31,8	1 1/4"	1 1/2" - 63.5	415
EH2424PHC90	38	38,1	1 1/2"	1 1/2" - 63.5	415
EH2432PHC90	38	38,1	1 1/2"	2" - 79.4	415
EH3232PHC90	50	50,8	2"	2" - 79.4	345

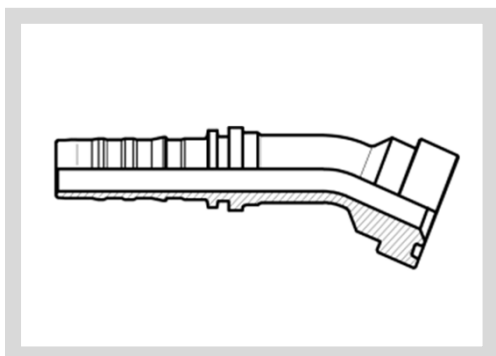


EH..PHC90L

FLANGE

90° CATERPILLAR FLENSKOPPELING LANG
EMBOUT A BRIDE 90° CATERPILLAR LONGUE
CATERPILLAR FLANGE 90° LONG DROP

Referentie Référence Reference				Flange	 MAX.
	DN	MM	INCH		
EH1212PHC90L129	20	19,0	3/4"	3/4" - 41.3	420
EH1616PHC90L132	25	25,4	1"	1" - 47.6	415
EH1616PHC90L150	25	25,4	1"	1" - 47.6	415
EH2020PHC90L150	32	31,8	1 1/4"	1 1/4" - 54.0	415
EH2024PHC90L135	32	31,8	1 1/4"	1 1/2" - 63.5	415
EH2424PHC90L106	38	38,1	1 1/2"	1 1/2" - 63.5	415

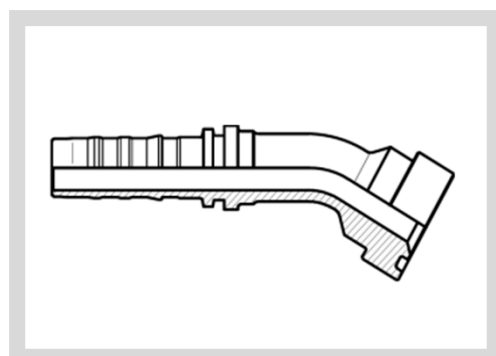


EH..PHC22

FLANGE

22,5° CATERPILLAR FLENSKOPPELING
EMBOUT A BRIDE 22,5° CATERPILLAR
CATERPILLAR FLANGE 22,5°

Referentie Référence Reference				Flange	 MAX.
	DN	MM	INCH		
EH1212PHC22	20	19,0	3/4"	3/4" - 41.3	420
EH1216PHC22	20	19,0	3/4"	1" - 47.6	420
EH1616PHC22	25	25,4	1"	1" - 47.6	415
EH1620PHC22	25	25,4	1"	1 1/4" - 54.0	415
EH2020PHC22	32	31,8	1 1/4"	1 1/4" - 54.0	415
EH2024PHC22	32	31,8	1 1/4"	1 1/2" - 63.5	415
EH2424PHC22	38	38,1	1 1/2"	1 1/2" - 63.5	415
EH2432PHC22	38	38,1	1 1/2"	2" - 79.4	415
EH3232PHC22	50	50,8	2"	2" - 79.4	345

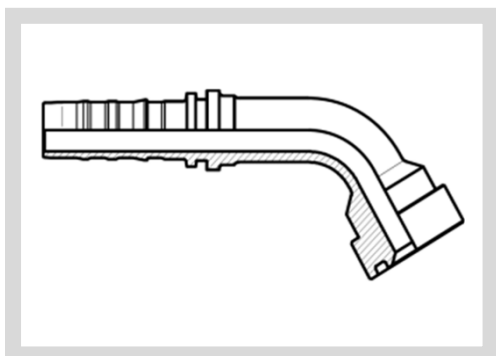


EH..PHC30

FLANGE

30° CATERPILLAR FLENSKOPPELING
EMBOUT A BRIDE 30° CATERPILLAR
CATERPILLAR FLANGE 30°



Referentie Référence Reference				Flange	 MAX.
	DN	MM	INCH		
EH1212PHC30	20	19,0	3/4"	3/4" - 41.3	420
EH1216PHC30	20	19,0	3/4"	1" - 47.6	420
EH1616PHC30	25	25,4	1"	1" - 47.6	415
EH1620PHC30	25	25,4	1"	1 1/4" - 54.0	415
EH2020PHC30	32	31,8	1 1/4"	1 1/4" - 54.0	415
EH2024PHC30	32	31,8	1 1/4"	1 1/2" - 63.5	415
EH2424PHC30	38	38,1	1 1/2"	1 1/2" - 63.5	415
EH2432PHC30	38	38,1	1 1/2"	2" - 79.4	415
EH3232PHC30	50	50,8	2"	2" - 79.4	345

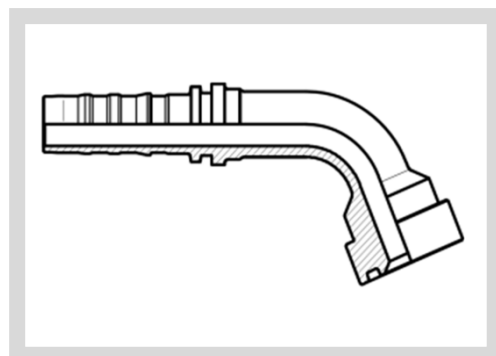


EH..PHC60

FLANGE

60° CATERPILLAR FLENSKOPPELING
EMBOUT A BRIDE 60° CATERPILLAR
CATERPILLAR FLANGE 60°



Referentie Référence Reference				Flange	 BAR
	DN	MM	INCH		
EH1212PHC60	20	19,0	3/4"	3/4" - 41.3	420
EH1216PHC60	20	19,0	3/4"	1" - 47.6	420
EH1616PHC60	25	25,4	1"	1" - 47.6	415
EH1620PHC60	25	25,4	1"	1 1/4" - 54.0	415
EH2020PHC60	32	31,8	1 1/4"	1 1/4" - 54.0	415
EH2024PHC60	32	31,8	1 1/4"	1 1/2" - 63.5	415
EH2424PHC60	38	38,1	1 1/2"	1 1/2" - 63.5	415
EH2432PHC60	38	38,1	1 1/2"	2" - 79.4	415
EH3232PHC60	50	50,8	2"	2" - 79.4	345

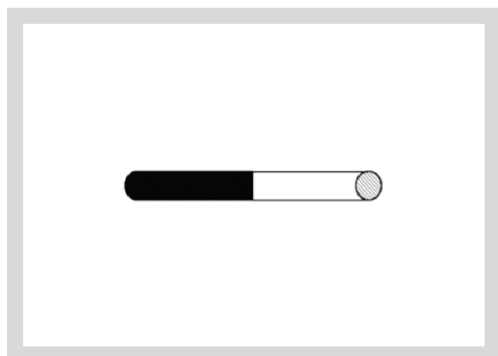


EH..PHC67

FLANGE

67° CATERPILLAR FLENSKOPPELING
EMBOUT A BRIDE 67° CATERPILLAR
CATERPILLAR FLANGE 67°

Referentie Référence Reference				Flange	 BAR
	DN	MM	INCH		
EH1212PHC67	20	19,0	3/4"	3/4" - 41.3	420
EH1216PHC67	20	19,0	3/4"	1" - 47.6	420
EH1616PHC67	25	25,4	1"	1" - 47.6	415
EH1620PHC67	25	25,4	1"	1 1/4" - 54.0	415
EH2020PHC67	32	31,8	1 1/4"	1 1/4" - 54.0	415
EH2024PHC67	32	31,8	1 1/4"	1 1/2" - 63.5	415
EH2424PHC67	38	38,1	1 1/2"	1 1/2" - 63.5	415
EH2432PHC67	38	38,1	1 1/2"	2" - 79.4	415
EH3232PHC67	50	50,8	2"	2" - 79.4	345



..PA77-PHC

O-RING CATERPILLAR FLENSKOPPELING
JOINT BRIDES CATERPILLAR
O-RING FOR CATERPILLAR FLANGE

Referentie Référence Reference	Dimensions	
	mm	Flange
12PA77-PHC	25.4 x 5 x 3.5	3/4" - 31.3
16PA77-PHC	31.8 x 5 x 3.5	1" - 47.6
20PA77-PHC	38.1 x 5 x 3.5	1 1/4" - 54.0
24PA77-PHC	44.5 x 5 x 3.5	1 1/2" - 63.5
32PA77-PHC	63.9 x 5 x 3.5	2" - 79.4