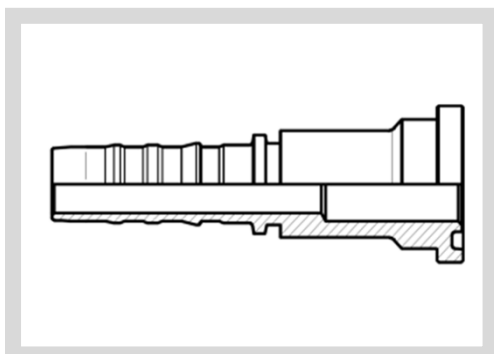


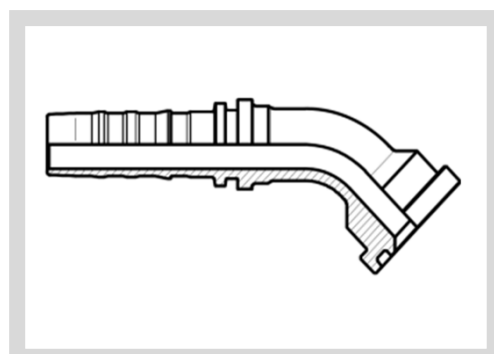
EH..PH

FLANGE 6000psi

RECHTE SAE FLENSAANSLUITING
EMBOUT A BRIDE SAE DROIT
STRAIGHT SAE FLANGE



Referentie Référence Reference				Flange	 BAR
	DN	MM	INCH		
EH1212PH	20	19,0	3/4"	3/4" - 41.3	420
EH1216PH	20	19,0	3/4"	1" - 47.6	420
EH1612PH	25	25,4	1"	3/4" - 41.3	415
EH1616PH	25	25,4	1"	1" - 47.6	415
EH1620PH	25	25,4	1"	1 1/4" - 54.0	415
EH2016PH	32	31,8	1 1/4"	1" - 47.6	415
EH2020PH	32	31,8	1 1/4"	1 1/4" - 54.0	415
EH2024PH	32	31,8	1 1/4"	1 1/2" - 63.5	415
EH2424PH	38	38,1	1 1/2"	1 1/2" - 63.5	415
EH2432PH	38	38,1	1 1/2"	2" - 79.4	415
EH3232PH	50	50,8	2"	2" - 79.4	345

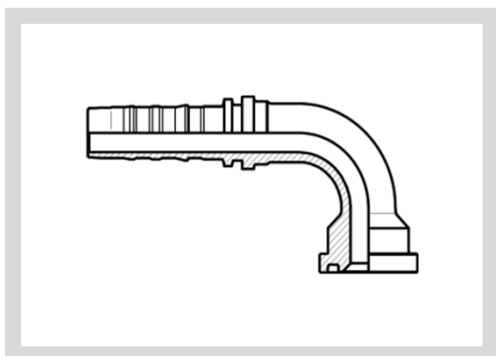


EH..PH45

FLANGE 6000psi

SAE 45° FLENSAANSLUITING
EMBOUT A BRIDE SAE 45°
SAE FLANGE 45°

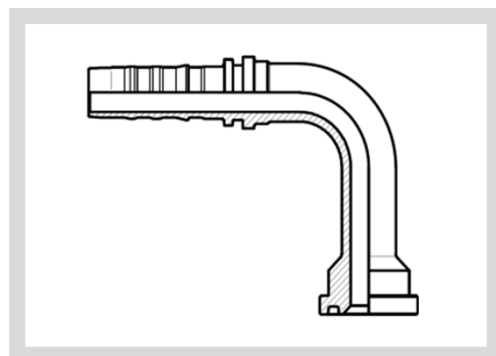
Referentie Référence Reference				Flange	 BAR
	DN	MM	INCH		
EH1212PH45	20	19,0	3/4"	3/4" - 41.3	420
EH1216PH45	20	19,0	3/4"	1" - 47.6	420
EH1612PH45	25	25,4	1"	3/4" - 41.3	415
EH1616PH45	25	25,4	1"	1" - 47.6	415
EH1620PH45	25	25,4	1"	1 1/4" - 54.0	415
EH2016PH45	32	31,8	1 1/4"	1" - 47.6	415
EH2020PH45	32	31,8	1 1/4"	1 1/4" - 54.0	415
EH2024PH45	32	31,8	1 1/4"	1 1/2" - 63.5	415
EH2424PH45	38	38,1	1 1/2"	1 1/2" - 63.5	415
EH2432PH45	38	38,1	1 1/2"	2" - 79.4	415
EH3232PH45	50	50,8	2"	2" - 79.4	345



EH..PH90

FLANGE 6000psi
SAE 90° FLENSAANSLUITING
EMBOUT A BRIDE SAE 90°
SAE FLANGE 90°

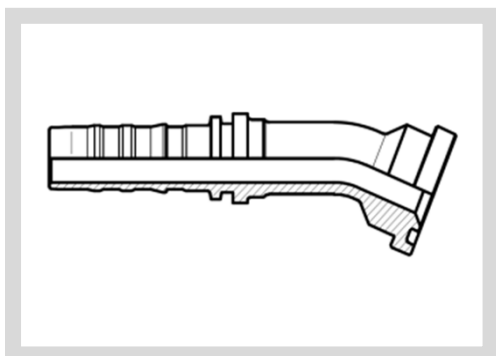
Referentie Référence Reference				Flange	 BAR
	DN	MM	INCH		
EH1212PH90	20	19,0	3/4"	3/4" - 41.3	420
EH1216PH90	20	19,0	3/4"	1" - 47.6	420
EH1612PH90	25	25,4	1"	3/4" - 41.3	415
EH1616PH90	25	25,4	1"	1" - 47.6	415
EH1620PH90	25	25,4	1"	1 1/4" - 54.0	415
EH2016PH90	32	31,8	1 1/4"	1" - 47.6	415
EH2020PH90	32	31,8	1 1/4"	1 1/4" - 54.0	415
EH2024PH90	32	31,8	1 1/4"	1 1/2" - 63.5	415
EH2424PH90	38	38,1	1 1/2"	1 1/2" - 63.5	415
EH2432PH90	38	38,1	1 1/2"	2" - 79.4	415
EH3232PH90	50	50,8	2"	2" - 79.4	345



EH..PH90L

FLANGE 6000psi
SAE 90° FLENSAANSLUITING - LANG
EMBOUT A BRIDE SAE 90° - LONGUE
SAE FLANGE 90° - LONG

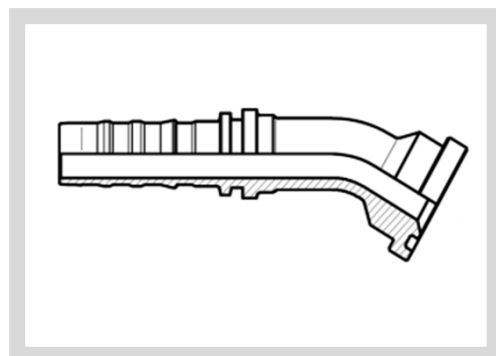
Referentie Référence Reference				Flange	 BAR
	DN	MM	INCH		
EH1212PH90L100	20	19,0	3/4"	3/4" - 41.3	420
EH1216PH90L140	20	19,0	3/4"	1" - 47.6	420
EH1616PH90L120	25	25,4	1"	1" - 47.6	415
EH2020PH90L120	32	31,8	1 1/4"	1 1/4" - 54.0	415



EH..PH22

FLANGE 6000psi
SAE 22,5° FLENSAANSLUITING
EMBOUT A BRIDE SAE 22,5°
SAE FLANGE 22,5°

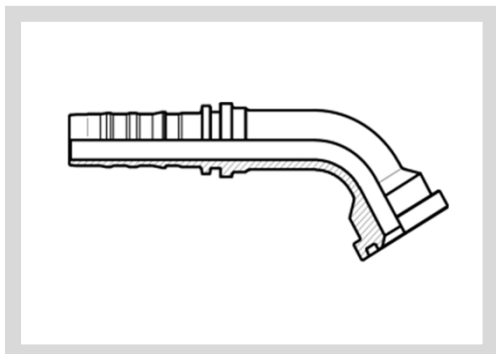
Referentie Référence Reference				Flange	 BAR
	DN	MM	INCH		
EH1212PH22	20	19,0	3/4"	3/4" - 41.3	420
EH1216PH22	20	19,0	3/4"	1" - 47.6	420
EH1616PH22	25	25,4	1"	1" - 47.6	415
EH1620PH22	25	25,4	1"	1 1/4" - 54.0	415
EH2020PH22	32	31,8	1 1/4"	1 1/4" - 54.0	415
EH2024PH22	32	31,8	1 1/4"	1 1/2" - 63.5	415
EH2424PH22	38	38,1	1 1/2"	1 1/2" - 63.5	415
EH2432PH22	38	38,1	1 1/2"	2" - 79.4	415
EH3232PH22	50	50,8	2"	2" - 79.4	345



EH..PH30

FLANGE 6000psi
SAE 30° FLENSAANSLUITING
EMBOUT A BRIDE SAE 30°
SAE FLANGE 30°

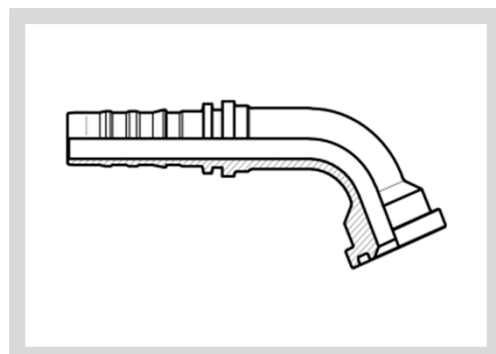
Referentie Référence Reference				Flange	 BAR
	DN	MM	INCH		
EH1212PH30	20	19,0	3/4"	3/4" - 41.3	420
EH1216PH30	20	19,0	3/4"	1" - 47.6	420
EH1616PH30	25	25,4	1"	1" - 47.6	415
EH1620PH30	25	25,4	1"	1 1/4" - 54.0	415
EH2020PH30	32	31,8	1 1/4"	1 1/4" - 54.0	415
EH2024PH30	32	31,8	1 1/4"	1 1/2" - 63.5	415
EH2424PH30	38	38,1	1 1/2"	1 1/2" - 63.5	415
EH2432PH30	38	38,1	1 1/2"	2" - 79.4	415
EH3232PH30	50	50,8	2"	2" - 79.4	345



EH..PH60

FLANGE 6000psi
SAE 60° FLENSAANSLUITING
EMBOUT A BRIDE SAE 60°
SAE FLANGE 60°

Referentie Référence Reference				Flange	 BAR
	DN	MM	INCH		
EH1212PH60	20	19,0	3/4"	3/4" - 41.3	420
EH1216PH60	20	19,0	3/4"	1" - 47.6	420
EH1616PH60	25	25,4	1"	1" - 47.6	415
EH1620PH60	25	25,4	1"	1 1/4" - 54.0	415
EH2020PH60	32	31,8	1 1/4"	1 1/4" - 54.0	415
EH2024PH60	32	31,8	1 1/4"	1 1/2" - 63.5	415
EH2424PH60	38	38,1	1 1/2"	1 1/2" - 63.5	415
EH2432PH60	38	38,1	1 1/2"	2" - 79.4	415
EH3232PH60	50	50,8	2"	2" - 79.4	345



EH..PH67

FLANGE 6000psi
SAE 67° FLENSAANSLUITING
EMBOUT A BRIDE SAE 67°
SAE FLANGE 67°

Referentie Référence Reference				Flange	 BAR
	DN	MM	INCH		
EH1212PH67	20	19,0	3/4"	3/4" - 41.3	420
EH1216PH67	20	19,0	3/4"	1" - 47.6	420
EH1616PH67	25	25,4	1"	1" - 47.6	415
EH1620PH67	25	25,4	1"	1 1/4" - 54.0	415
EH2020PH67	32	31,8	1 1/4"	1 1/4" - 54.0	415
EH2024PH67	32	31,8	1 1/4"	1 1/2" - 63.5	415
EH2424PH67	38	38,1	1 1/2"	1 1/2" - 63.5	415
EH2432PH67	38	38,1	1 1/2"	2" - 79.4	415
EH3232PH67	50	50,8	2"	2" - 79.4	345