



EH..PA

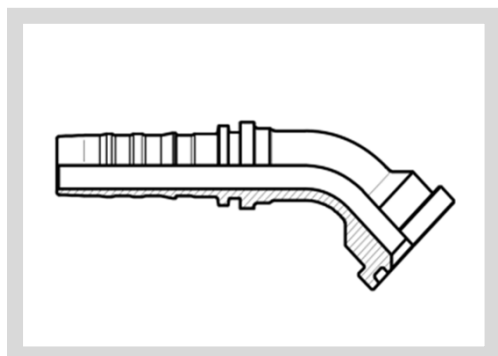
FLANGE 3000psi

RECHTE FLENSAANSLUITING SAE

EMBOUT A BRIDE SAE DROIT

STRAIGHT SAE FLANGE

Referentie Référence Reference					
	DN	MM	INCH		Flange
EH1212PA	20	19,0	3/4"	3/4" - 38.1	350
EH1216PA	20	19,0	3/4"	1" - 44.5	350
EH1220PA	20	19,0	3/4"	1 1/4" - 50.8	280
EH1612PA	25	25,4	1"	3/4" - 38.1	350
EH1616PA	25	25,4	1"	1" - 44.5	350
EH1620PA	25	25,4	1"	1 1/4" - 50.8	280
EH1624PA	25	25,4	1"	1 1/2" - 60.3	210
EH2016PA	32	31,8	1 1/4"	1" - 44.5	350
EH2020PA	32	31,8	1 1/4"	1 1/4" - 50.8	280
EH2024PA	32	31,8	1 1/4"	1 1/2" - 60.3	210
EH2032PA	32	31,8	1 1/4"	2" - 71.4	210
EH2424PA	38	38,1	1 1/2"	1 1/2" - 60.3	210
EH2432PA	38	38,1	1 1/2"	2" - 71.4	210
EH3232PA	50	50,8	2"	2" - 71.4	210
EH3240PA	50	50,8	2"	2 1/2" - 84.1	175





EH..PA45

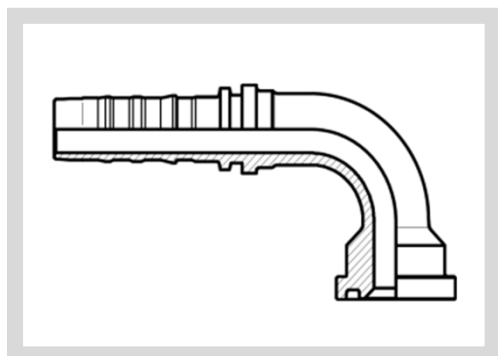
FLANGE 3000psi

45° SAE FLENSAANSLUITING

EMBOUT A BRIDE SAE 45°

SAE FLANGE 45°

Referentie Référence Reference				Flange	 BAR
	DN	MM	INCH		
EH1212PA45	20	19,0	3/4"	3/4" - 38.1	350
EH1216PA45	20	19,0	3/4"	1" - 44.5	350
EH1612PA45	25	25,4	1"	3/4" - 38.1	350
EH1616PA45	25	25,4	1"	1" - 44.5	350
EH1620PA45	25	25,4	1"	1 1/4" - 50.8	280
EH2016PA45	32	31,8	1 1/4"	1" - 44.5	350
EH2020PA45	32	31,8	1 1/4"	1 1/4" - 50.8	280
EH2024PA45	32	31,8	1 1/4"	1 1/2" - 60.3	210
EH2424PA45	38	38,1	1 1/2"	1 1/2" - 60.3	210
EH2432PA45	38	38,1	1 1/2"	2" - 71.4	210
EH3232PA45	50	50,8	2"	2" - 71.4	210
EH3240PA45	50	50,8	2"	2 1/2" - 84.1	175





EH..PA90

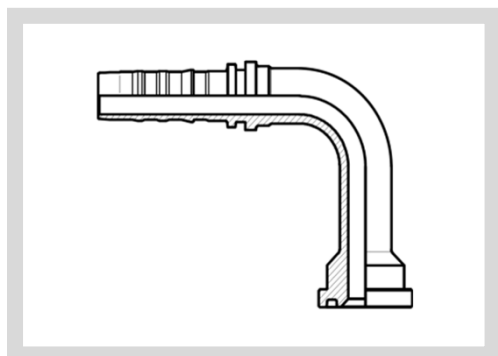
FLANGE 3000psi

SAE 90° FLENSAANSLUITING

EMBOUT A BRIDE SAE 90°

SAE FLANGE 90°



Referentie Référence Reference				Flange	 BAR
	DN	MM	INCH		
EH1212PA90	20	19,0	3/4"	3/4" - 38.1	350
EH1216PA90	20	19,0	3/4"	1" - 44.5	350
EH1220PA90	20	19,0	3/4"	1 1/4" - 50.8	280
EH1612PA90	25	25,4	1"	3/4" - 38.1	350
EH1616PA90	25	25,4	1"	1" - 44.5	350
EH1620PA90	25	25,4	1"	1 1/4" - 50.8	280
EH1624PA90	25	25,4	1"	1 1/2" - 60.3	210
EH2016PA90	32	31,8	1 1/4"	1" - 44.5	350
EH2020PA90	32	31,8	1 1/4"	1 1/4" - 50.8	280
EH2024PA90	32	31,8	1 1/4"	1 1/2" - 60.3	210
EH2424PA90	38	38,1	1 1/2"	1 1/2" - 60.3	210
EH2432PA90	38	38,1	1 1/2"	2" - 71.4	210
EH3232PA90	50	50,8	2"	2" - 71.4	210
EH3240PA90	50	50,8	2"	2 1/2" - 84.1	175

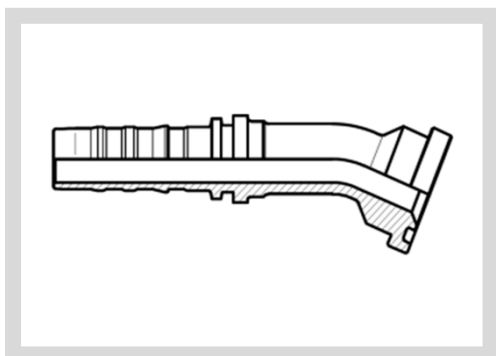


EH..PA90L

FLANGE 3000psi



SAE 90° FLENSAANSLUITING - LANG
EMBOUT A BRIDE SAE 90° - LONGUE
SAE FLANGE 90° - LONG

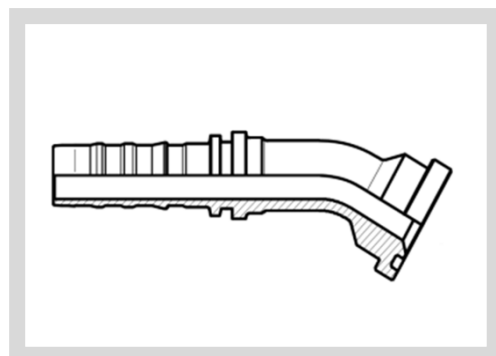
Referentie Référence Reference					
	DN	MM	INCH		Flange
EH1212PA90L96	20	19,0	3/4"	3/4" - 38.1	350
EH1212PA90L127	20	19,0	3/4"	3/4" - 38.1	350
EH1216PA90L79	20	19,0	3/4"	1" - 44.5	350
EH1616PA90L118	25	25,4	1"	1" - 44.5	350
EH1620PA90L118	25	25,4	1"	1 1/4" - 50.8	280
EH2020PA90L91	32	31,8	1 1/4"	1 1/4" - 50.8	280
EH2020PA90L102	32	31,8	1 1/4"	1 1/4" - 50.8	280
EH2020PA90L112	32	31,8	1 1/4"	1 1/4" - 50.8	280
EH2020PA90L130	32	31,8	1 1/4"	1 1/4" - 50.8	280
EH2020PA90L168	32	31,8	1 1/4"	1 1/4" - 50.8	280
EH2024PA90L118	32	31,8	1 1/4"	1 1/2" - 60.3	210
EH2024PA90L130	32	31,8	1 1/4"	1 1/2" - 60.3	210
EH2424PA90L148	38	38,1	1 1/2"	1 1/2" - 60.3	210
EH2424PA90L172	38	38,1	1 1/2"	1 1/2" - 60.3	210
EH2432PA90L115	38	38,1	1 1/2"	2" - 71.4	210
EH2432PA90L172	38	38,1	1 1/2"	2" - 71.4	210
EH3232PA90L165	50	50,8	2"	2" - 71.4	210
EH3232PA90L203	50	50,8	2"	2" - 71.4	210



EH..PA22



FLANGE 3000psi
SAE 22,5° FLENSAANSLUITING
EMBOUT A BRIDE SAE 22,5°
SAE FLANGE 22,5°

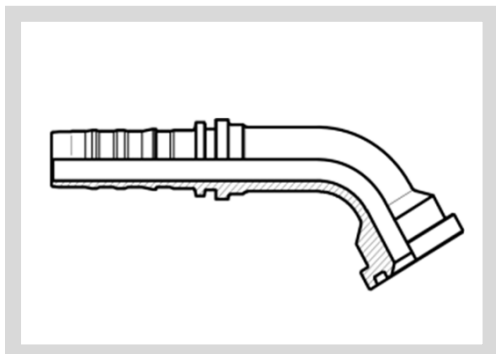
Referentie Référence Reference				Flange	 BAR
	DN	MM	INCH		
EH1212PA22	20	19,0	3/4"	3/4" - 38.1	350
EH1216PA22	20	19,0	3/4"	1" - 44.5	350
EH1616PA22	25	25,4	1"	1" - 44.5	350
EH1620PA22	25	25,4	1"	1 1/4" - 50.8	280
EH2020PA22	32	31,8	1 1/4"	1 1/4" - 50.8	280
EH2024PA22	32	31,8	1 1/4"	1 1/2" - 60.3	210
EH2424PA22	38	38,1	1 1/2"	1 1/2" - 60.3	210
EH2432PA22	38	38,1	1 1/2"	2" - 71.4	210
EH3232PA22	50	50,8	2"	2" - 71.4	210



EH..PA30

FLANGE 3000psi
SAE 30° FLENSAANSLUITING
EMBOUT A BRIDE SAE 30°
SAE FLANGE SFL 30°

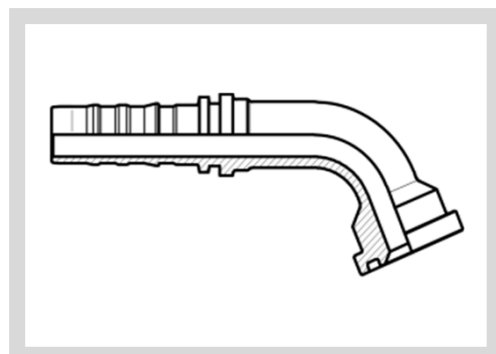
Referentie Référence Reference				Flange	 BAR
	DN	MM	INCH		
EH1212PA30	20	19,0	3/4"	3/4" - 38.1	350
EH1216PA30	20	19,0	3/4"	1" - 44.5	350
EH1616PA30	25	25,4	1"	1" - 44.5	350
EH1620PA30	25	25,4	1"	1 1/4" - 50.8	280
EH2020PA30	32	31,8	1 1/4"	1 1/4" - 50.8	280
EH2024PA30	32	31,8	1 1/4"	1 1/2" - 60.3	210
EH2424PA30	38	38,1	1 1/2"	1 1/2" - 60.3	210
EH2432PA30	38	38,1	1 1/2"	2" - 71.4	210
EH3232PA30	50	50,8	2"	2" - 71.4	210



EH..PA60

FLANGE 3000psi
SAE 60° FLENSAANSLUITING
EMBOUT A BRIDE SAE 60°
SAE FLANGE 60°

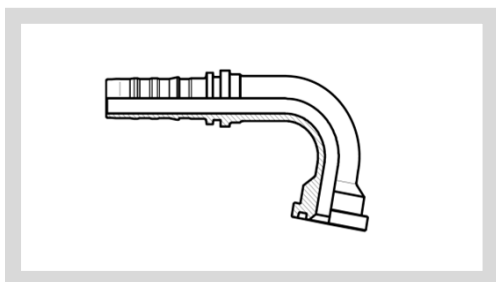
Referentie Référence Reference				Flange	 BAR
	DN	MM	INCH		
EH1212PA60	20	19,0	3/4"	3/4" - 38.1	350
EH1216PA60	20	19,0	3/4"	1" - 44.5	350
EH1616PA60	25	25,4	1"	1" - 44.5	350
EH1620PA60	25	25,4	1"	1 1/4" - 50.8	280
EH2020PA60	32	31,8	1 1/4"	1 1/4" - 50.8	280
EH2024PA60	32	31,8	1 1/4"	1 1/2" - 60.3	210
EH2424PA60	38	38,1	1 1/2"	1 1/2" - 60.3	210
EH2432PA60	38	38,1	1 1/2"	2" - 71.4	210
EH3232PA60	50	50,8	2"	2" - 71.4	210



EH..PA67

FLANGE 3000psi
SAE 67° FLENSAANSLUITING
EMBOUT A BRIDE SAE 67°
SAE FLANGE 67°

Referentie Référence Reference				Flange	 BAR
	DN	MM	INCH		
EH1212PA67	20	19,0	3/4"	3/4" - 38.1	350
EH1216PA67	20	19,0	3/4"	1" - 44.5	350
EH1616PA67	25	25,4	1"	1" - 44.5	350
EH1620PA67	25	25,4	1"	1 1/4" - 50.8	280
EH2020PA67	32	31,8	1 1/4"	1 1/4" - 50.8	280
EH2024PA67	32	31,8	1 1/4"	1 1/2" - 60.3	210
EH2424PA67	38	38,1	1 1/2"	1 1/2" - 60.3	210
EH2432PA67	38	38,1	1 1/2"	2" - 71.4	210
EH3232PA67	50	50,8	2"	2" - 71.4	210



EH..PA100

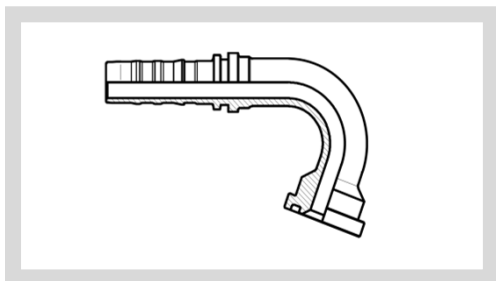
FLANGE 3000psi

SAE 100° FLENSAANSLUITING

EMBOUT A BRIDE SAE 100°

SAE FLANGE 100°

Referentie Référence Reference				Flange	 BAR
	DN	MM	INCH		
EH1212PA100	20	19,0	3/4"	3/4" - 38.1	350
EH1616PA100	25	25,4	1"	1" - 44.5	350



EH..PA110

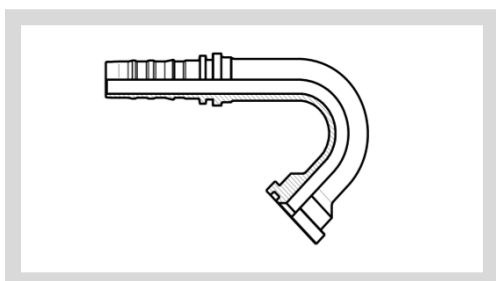
FLANGE 3000psi

SAE 110° FLENSAANSLUITING

EMBOUT A BRIDE SAE 110°

SAE FLANGE 110°

Referentie Référence Reference				Flange	 BAR
	DN	MM	INCH		
EH1212PA110	20	19,0	3/4"	3/4" - 38.1	350
EH1616PA110	25	25,4	1"	1" - 44.5	350
EH1620PA110	25	25,4	1"	1 1/4" - 50.8	280
EH2020PA110	32	31,8	1 1/4"	1 1/4" - 50.8	280
EH2024PA110	32	31,8	1 1/4"	1 1/2" - 60.3	210
EH2424PA110	38	38,1	1 1/2"	1 1/2" - 60.3	210
EH3232PA110	50	50,8	2"	2" - 71.4	210



EH..PA135

FLANGE 3000psi

135° FLENSAANSLUITING

EMBOUT A BRIDE SAE 135°

SAE FLANGE 135°

Referentie Référence Reference				Flange	 BAR
	DN	MM	INCH		
EH1212PA135	20	19,0	3/4"	3/4" - 38.1	350
EH1216PA135	20	19,0	3/4"	1" - 44.5	350
EH1616PA135	25	25,4	1"	1" - 44.5	350