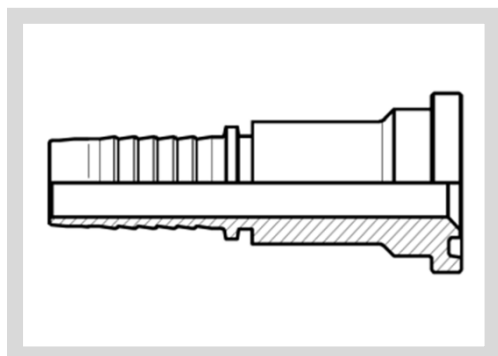


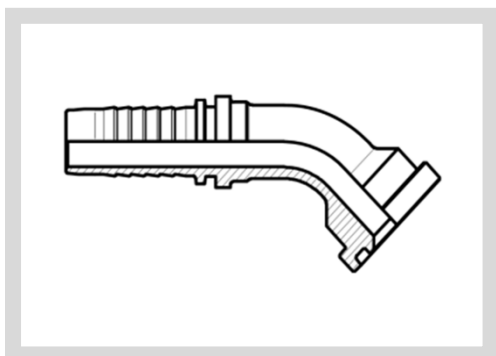


# EC..PH

**FLANGE 6000psi**  
SAE FLENSAANSLUITING  
EMBOUT À BRIDE SAE  
STRAIGHT SAE FLANGE



Referentie Référence Reference					
	DN	MM	INCH		Flange / Diameter
EC0808PH	12	12,7	1/2"	1/2" / 31.8mm	415
EC0812PH	12	12,7	1/2"	3/4" / 41.3mm	415
EC1008PH	16	16,0	5/8"	1/2" / 31.8mm	350
EC1012PH	16	16,0	5/8"	3/4" / 41.3mm	350
EC1208PH	20	19,0	3/4"	1/2" / 31.8mm	350
EC1212PH	20	19,0	3/4"	3/4" / 41.3mm	350
EC1216PH	20	19,0	3/4"	1" / 47.6mm	350
EC1612PH	25	25,4	1"	3/4" / 41.3mm	280
EC1616PH	25	25,4	1"	1" / 47.6mm	280
EC1620PH	25	25,4	1"	1 1/4" / 54mm	280
EC2016PH	32	31,8	1 1/4"	1" / 47.6mm	210
EC2020PH	32	31,8	1 1/4"	1 1/4" / 54mm	210
EC2024PH	32	31,8	1 1/4"	1 1/2" / 63.5mm	210
EC2424PH	38	38,1	1 1/2"	1 1/2" / 63.5mm	185
EC2432PH	38	38,1	1 1/2"	2" / 79.4mm	185
EC3232PH	50	50,8	2"	2" / 79.4mm	175





# EC..PH45

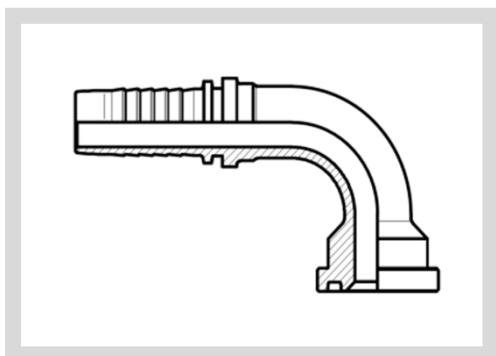
**FLANGE 6000psi**

SAE FLENSAANSLUITING 45°

EMBOUT À BRIDE SAE 45°

SAE FLANGE 45°

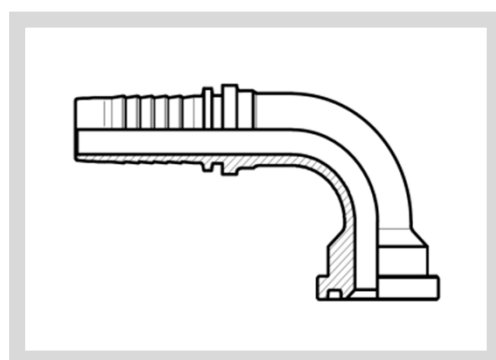
Referentie Référence Reference					
	DN	MM	INCH		Flange / Diameter
EC0808PH45	12	12,7	1/2"	1/2" / 31.8mm	415
EC0812PH45	12	12,7	1/2"	3/4" / 41.3mm	415
EC1008PH45	16	16,0	5/8"	1/2" / 31.8mm	350
EC1012PH45	16	16,0	5/8"	3/4" / 41.3mm	350
EC1208PH45	20	19,0	3/4"	1/2" / 31.8mm	350
EC1212PH45	20	19,0	3/4"	3/4" / 41.3mm	350
EC1216PH45	20	19,0	3/4"	1" / 47.6mm	350
EC1612PH45	25	25,4	1"	3/4" / 41.3mm	280
EC1616PH45	25	25,4	1"	1" / 47.6mm	280
EC1620PH45	25	25,4	1"	1 1/4" / 54mm	280
EC2016PH45	32	31,8	1 1/4"	1" / 47.6mm	210
EC2020PH45	32	31,8	1 1/4"	1 1/4" / 54mm	210
EC2024PH45	32	31,8	1 1/4"	1 1/2" / 63.5mm	210
EC2424PH45	38	38,1	1 1/2"	1 1/2" / 63.5mm	185
EC2432PH45	38	38,1	1 1/2"	2" / 79.4mm	185
EC3232PH45	50	50,8	2"	2" / 79.4mm	175



## EC..PH90

**Flange 6000psi**  
SAE FLENSAANSLUITING 90°  
EMBOUT À BRIDE SAE 90°  
SAE FLANGE 90°

Referentie Référence Reference				Flange / Diameter	 BAR
	DN	MM	INCH		
EC0808PH90	12	12,7	1/2"	1/2" / 31.8mm	415
EC0812PH90	12	12,7	1/2"	3/4" / 41.3mm	415
EC1008PH90	16	16,0	5/8"	1/2" / 31.8mm	350
EC1012PH90	16	16,0	5/8"	3/4" / 41.3mm	350
EC1208PH90	20	19,0	3/4"	1/2" / 31.8mm	350
EC1212PH90	20	19,0	3/4"	3/4" / 41.3mm	350
EC1216PH90	20	19,0	3/4"	1" / 47.6mm	350
EC1612PH90	25	25,4	1"	3/4" / 41.3mm	280
EC1616PH90	25	25,4	1"	1" / 47.6mm	280
EC1620PH90	25	25,4	1"	1 1/4" / 54mm	280
EC2016PH90	32	31,8	1 1/4"	1" / 47.6mm	210
EC2020PH90	32	31,8	1 1/4"	1 1/4" / 54mm	210
EC2024PH90	32	31,8	1 1/4"	1 1/2" / 63.5mm	210
EC2424PH90	38	38,1	1 1/2"	1 1/2" / 63.5mm	185
EC2432PH90	38	38,1	1 1/2"	2" / 79.4mm	185
EC3232PH90	50	50,8	2"	2" / 79.4mm	175

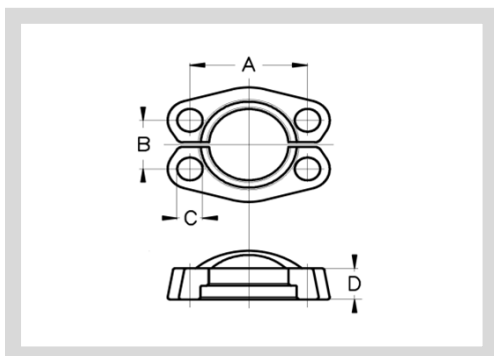


## EC..PH90L

**Flange 6000psi**  
SAE FLENSAANSLUITING 90° LANG  
EMBOUT À BRIDE SAE 90° LONGUE  
SAE FLANGE 90° LONG DROP

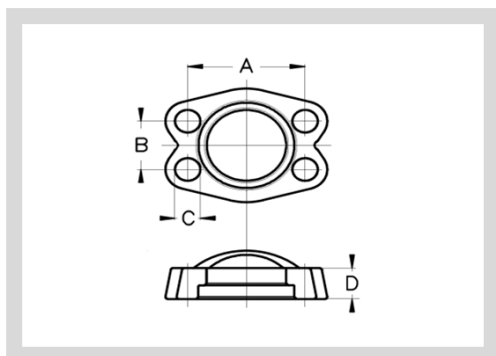
Referentie Référence Reference				Flange / Diameter	 BAR
	DN	MM	INCH		
EC1212PH90L85	20	19,0	3/4"	3/4" / 41.3mm	350
EC1212PH90L100	20	19,0	3/4"	3/4" / 41.3mm	350
EC1216PH90L140	20	19,0	3/4"	1" / 47.6mm	350
EC1616PH90L120	25	25,4	1"	1" / 47.6mm	280
EC2020PH90L120	32	31,8	1 1/4"	1 1/4" / 54mm	210

# ..PH75



FLENSHELFT 6000 PSI  
DEMI BRIDE 6000 PSI  
SPLIT FLANGE CLAMP 6000 PSI

Referentie Référence Reference	Dimensions				Flange / Diameter
	A	B	C	D	
<b>08PH75</b>	40,5	18,2	9	16	1/2" / 31.8mm
<b>12PH75</b>	50,8	23,8	11	19	3/4" / 41.3mm
<b>16PH75</b>	57,2	27,8	13	24	1" / 47.6mm
<b>20PH75</b>	66,6	31,8	15	27	1 1/4" / 54mm
<b>24PH75</b>	79,3	36,5	17	30	1 1/2" / 63.5mm
<b>32PH75</b>	96,8	44,5	22	37	2" / 79.4mm

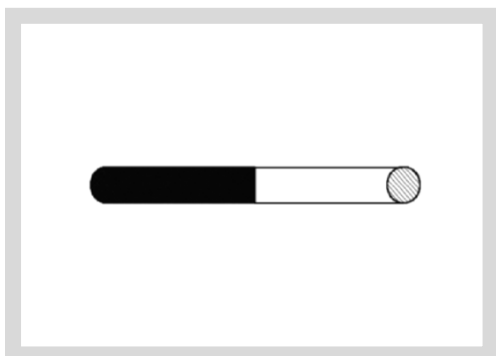


# ..PH74

FLENS 6000 PSI  
BRIDE 6000 PSI  
FLANGE CLAMP 6000 PSI

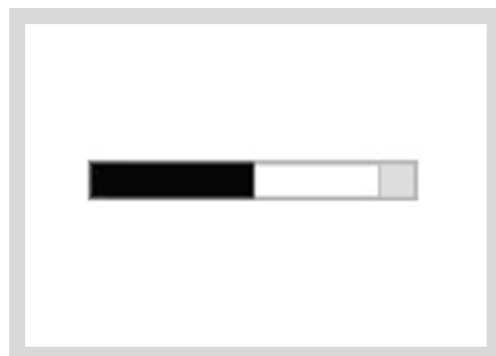
Referentie Référence Reference	Dimensions				Flange / Diameter
	A	B	C	D	
<b>08PH74</b>	40,5	18,2	9	16	1/2" / 31.8mm
<b>12PH74</b>	50,8	23,8	11	19	3/4" / 41.3mm
<b>16PH74</b>	57,2	27,8	13	24	1" / 47.6mm
<b>20PH74</b>	66,6	31,8	15	27	1 1/4" / 54mm
<b>24PH74</b>	79,3	36,5	17	30	1 1/2" / 63.5mm
<b>32PH74</b>	96,8	44,5	22	37	2" / 79.4mm

# ..PA77



O-RING SAE-FLENZEN  
JOINT BRIDES SAE  
O-RING FOR SAE FLANGE

Referentie Référence Reference	Dimensions	
	mm	Flange / Diameter
<b>08PA77</b>	19 x 3.55	1/2" / 31,8mm
<b>12PA77</b>	25 x 3.55	3/4" / 41,3mm
<b>16PA77</b>	32.5 x 3.55	1" / 47,6mm
<b>20PA77</b>	37.5 x 3.55	1 1/4" / 54mm
<b>24PA77</b>	47.5 x 3.55	1 1/2" / 63,5mm
<b>32PA77</b>	56 x 3.55	2" / 79,4mm



# ..PA77-SQUARE

QUAD-RING SAE-FLENZEN  
JOINT CARRÉ BRIDES SAE  
SQUARE O-RING FOR SAE FLANGE

Referentie Référence Reference	Dimensions	
	mm	Flange / Diameter
<b>08PA77-SQUARE</b>	19 x 3.55	1/2" / 31,8mm
<b>12PA77-SQUARE</b>	25 x 3.55	3/4" / 41,3mm
<b>16PA77-SQUARE</b>	32.5 x 3.55	1" / 47,6mm
<b>20PA77-SQUARE</b>	37.5 x 3.55	1 1/4" / 54mm
<b>24PA77-SQUARE</b>	47.5 x 3.55	1 1/2" / 63,5mm
<b>32PA77-SQUARE</b>	56 x 3.55	2" / 79,4mm