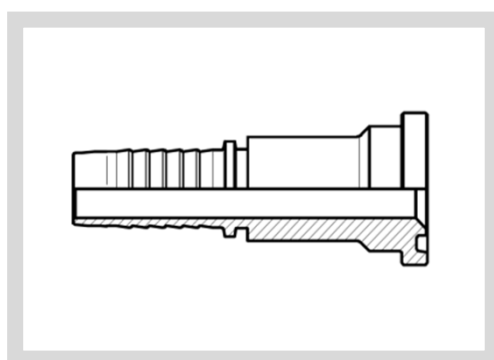


EC..PA

Flange 3000psi
SAE FLENSAANSLUITING
EMBOUT À BRIDE SAE
STRAIGHT SAE FLANGE

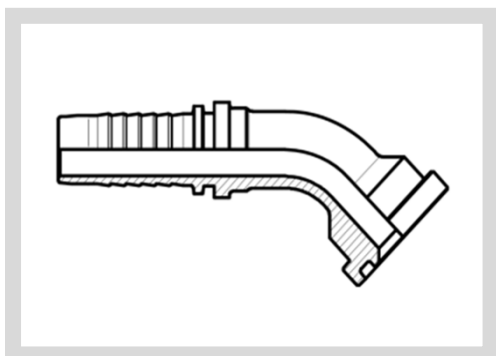
Referentie Référence Reference				Flange / Diameter	 BAR
	DN	MM	INCH		
EC0808PA	12	12,7	1/2"	1/2" / 30.2mm	350
EC0812PA	12	12,7	1/2"	3/4" / 38.1mm	350
EC1008PA	16	16,0	5/8"	1/2" / 30.2mm	350
EC1012PA	16	16,0	5/8"	3/4" / 38.1mm	350
EC1208PA	20	19,0	3/4"	1/2" / 30.2mm	350
EC1212PA	20	19,0	3/4"	3/4" / 38.1mm	350
EC1216PA	20	19,0	3/4"	1" / 44.5mm	350
EC1612PA	25	25,4	1"	3/4" / 38.1mm	280
EC1616PA	25	25,4	1"	1" / 44.5mm	280
EC1620PA	25	25,4	1"	1 1/4" / 50.8mm	280
EC2016PA	32	31,8	1 1/4"	1" / 44.5mm	210
EC2020PA	32	31,8	1 1/4"	1 1/4" / 50.8mm	210
EC2024PA	32	31,8	1 1/4"	1 1/2" / 60.3mm	210
EC2424PA	38	38,1	1 1/2"	1 1/2" / 60.3mm	185
EC2432PA	38	38,1	1 1/2"	2" / 71.4mm	185
EC3232PA	50	50,8	2"	2" / 71.4mm	175
EC3240PA	50	50,8	2"	2 1/2" / 84.1mm	175



EC..PAK



Flange KOMATSU 3000psi
SAE FLENSAANSLUITING - KOMATSU
EMBOUT À BRIDE SAE - KOMATSU
SAE FLANGE - KOMATSU

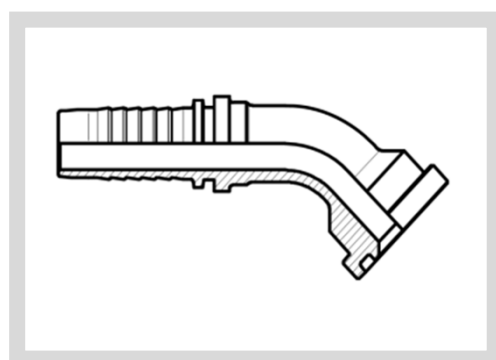
Referentie Référence Reference				Flange / Diameter	 BAR
	DN	MM	INCH		
EC0810PAK	12	12,7	1/2"	5/8" / 34mm	350
EC1010PAK	16	16,0	5/8"	5/8" / 34mm	350



EC..PA45



Flange 3000psi
SAE FLENSAANSLUITING 45°
EMBOUT À BRIDE SAE 45°
SAE FLANGE 45°

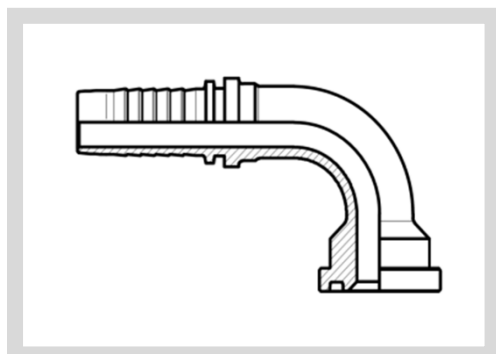
Referentie Référence Reference				Flange / Diameter	 BAR
	DN	MM	INCH		
EC0808PA45	12	12,7	1/2"	1/2" / 30.2mm	350
EC0812PA45	12	12,7	1/2"	3/4" / 38.1mm	350
EC1008PA45	16	16,0	5/8"	1/2" / 30.2mm	350
EC1012PA45	16	16,0	5/8"	3/4" / 38.1mm	350
EC1208PA45	20	19,0	3/4"	1/2" / 30.2mm	350
EC1212PA45	20	19,0	3/4"	3/4" / 38.1mm	350
EC1216PA45	20	19,0	3/4"	1" / 44.5mm	350
EC1612PA45	25	25,4	1"	3/4" / 38.1mm	280
EC1616PA45	25	25,4	1"	1" / 44.5mm	280
EC1620PA45	25	25,4	1"	1 1/4" / 50.8mm	280
EC2016PA45	32	31,8	1 1/4"	1" / 44.5mm	210
EC2020PA45	32	31,8	1 1/4"	1 1/4" / 50.8mm	210
EC2024PA45	32	31,8	1 1/4"	1 1/2" / 60.3mm	210
EC2424PA45	38	38,1	1 1/2"	1 1/2" / 60.3mm	185
EC2432PA45	38	38,1	1 1/2"	2" / 71.4mm	185
EC3232PA45	50	50,8	2"	2" / 71.4mm	175
EC3240PA45	50	50,8	2"	2 1/2" / 84.1mm	175



EC..PAK45



Flange KOMATSU 3000psi
SAE FLENSAANSLUITING – KOMATSU 45°
EMBOUT À BRIDE SAE – KOMATSU 45°
SAE FLANGE – KOMATSU 45°

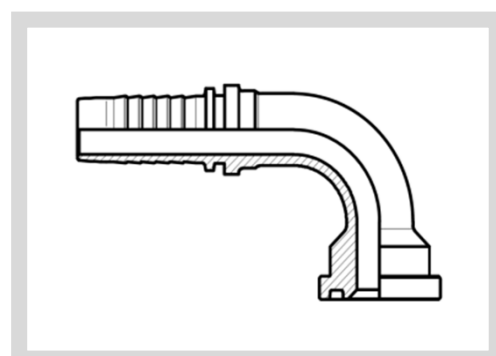
Referentie Référence Reference				Flange / Diameter	 BAR
	DN	MM	INCH		
EC0810PAK45	12	12,7	1/2"	5/8" / 34mm	350
EC1010PAK45	16	16,0	5/8"	5/8" / 34mm	350



EC..PA90



Flange 3000psi
SAE FLENSAANSLUITING 90°
EMBOUT À BRIDE SAE 90°
SAE FLANGE 90°

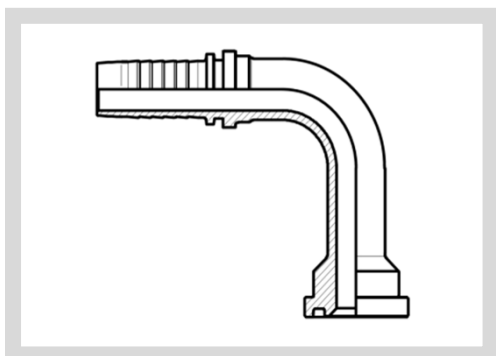
Referentie Référence Reference				Flange / Diameter	 BAR
	DN	MM	INCH		
EC0808PA90	12	12,7	1/2"	1/2" / 30.2mm	350
EC0812PA90	12	12,7	1/2"	3/4" / 38.1mm	350
EC1008PA90	16	16,0	5/8"	1/2" / 30.2mm	350
EC1012PA90	16	16,0	5/8"	3/4" / 38.1mm	350
EC1208PA90	20	19,0	3/4"	1/2" / 30.2mm	350
EC1212PA90	20	19,0	3/4"	3/4" / 38.1mm	350
EC1216PA90	20	19,0	3/4"	1" / 44.5mm	350
EC1612PA90	25	25,4	1"	3/4" / 38.1mm	280
EC1616PA90	25	25,4	1"	1" / 44.5mm	280
EC1620PA90	25	25,4	1"	1 1/4" / 50.8mm	280
EC2016PA90	32	31,8	1 1/4"	1" / 44.5mm	210
EC2020PA90	32	31,8	1 1/4"	1 1/4" / 50.8mm	210
EC2024PA90	32	31,8	1 1/4"	1 1/2" / 60.3mm	210
EC2424PA90	38	38,1	1 1/2"	1 1/2" / 60.3mm	185
EC2432PA90	38	38,1	1 1/2"	2" / 71.4mm	185
EC3232PA90	50	50,8	2"	2" / 71.4mm	175
EC3240PA90	50	50,8	2"	2 1/2" / 84.1mm	175



EC..PAK90

Flange KOMATSU 3000psi
SAE FLENSAANSLUITING – KOMATSU 90°
EMBOUT À BRIDE SAE – KOMATSU 90°
SAE FLANGE – KOMATSU 90°



Referentie Référence Reference				Flange / Diameter	 BAR
	DN	MM	INCH		
EC0810PAK90	12	12,7	1/2"	5/8" / 34mm	350
EC1010PAK90	16	16,0	5/8"	5/8" / 34mm	350



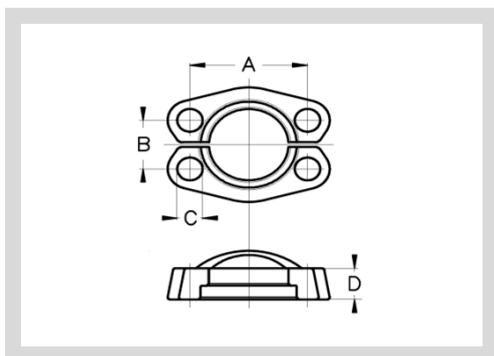
EC..PA90L

FLANGE 3000psi

SAE FLENSAANSLUITING 90° LANG
EMBOUT À BRIDE SAE 90° LONGUE
SAE FLANGE 90° LONG DROP

Referentie Référence Reference				Flange / Diameter	 BAR
	DN	MM	INCH		
EC0808PA90L83	12	12,7	1/2"	1/2" / 30.2	350
EC1212PA90L96	20	19,0	3/4"	3/4" / 38.1	350
EC1212PA90L127	20	19,0	3/4"	3/4" / 38.1	350
EC1216PA90L79	20	19,0	3/4"	1" / 44.5	280
EC1616PA90L118	25	25,4	1"	1" / 44.5	280
EC1620PA90L118	25	25,4	1"	1 1/4" / 50.8	280
EC2020PA90L91	32	31,8	1 1/4"	1 1/4" / 50.8	210
EC2020PA90L102	32	31,8	1 1/4"	1 1/4" / 50.8	210
EC2020PA90L112	32	31,8	1 1/4"	1 1/4" / 50.8	210
EC2020PA90L130	32	31,8	1 1/4"	1 1/4" / 50.8	210
EC2020PA90L168	32	31,8	1 1/4"	1 1/4" / 50.8	210
EC2024PA90L118	32	31,8	1 1/4"	1 1/2" / 60.3	210
EC2024PA90L130	32	31,8	1 1/4"	1 1/2" / 60.3	210
EC2424PA90L148	38	38,1	1 1/2"	1 1/2" / 60.3	185
EC2424PA90L172	38	38,1	1 1/2"	1 1/2" / 60.3	185
EC2432PA90L115	38	38,1	1 1/2"	2" / 71.4	185
EC2432PA90L172	38	38,1	1 1/2"	2" / 71.4	185
EC3232PA90L165	50	50,8	2"	2" / 71.4	175
EC3232PA90L203	50	50,8	2"	2" / 71.4	175

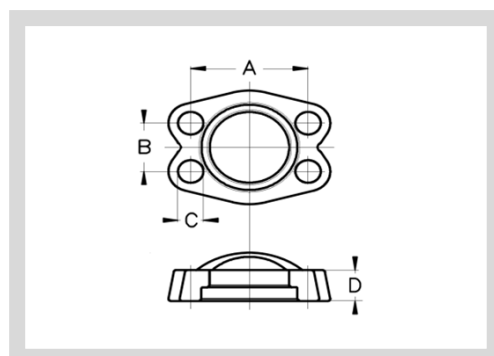
..PA75



FLENSHELFT 3000 PSI
DEMI BRIDE 3000 PSI
SPLIT FLANGE CLAMP 3000 PSI

Referentie Référence Reference	Dimensions				Flange / Diameter
	A	B	C	D	
08PA75	38,1	17,5	9	13	1/2" / 30.2mm
12PA75	47,6	22,3	11	14	3/4" / 38.1mm
16PA75	52,4	26,2	11	16	1" / 44.5mm
20PA75	58,7	30,2	11	16	1 1/4" / 50.8mm
24PA75	69,9	35,7	13	16	1 1/2" / 60.3mm
32PA75	77,8	42,9	13	16	2" / 71.4mm
40PA75	88,9	50,8	13	19	2 1/2" / 84.1mm

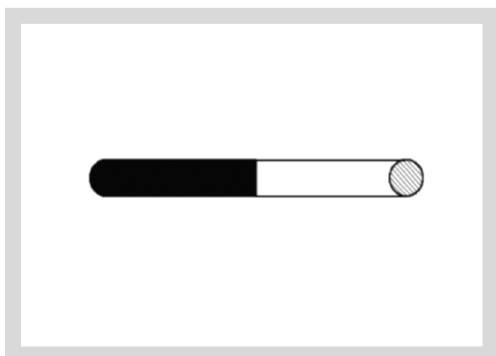
..PA74



FLENS 3000 PSI
BRIDE 3000 PSI
FLANGE CLAMP 3000 PSI

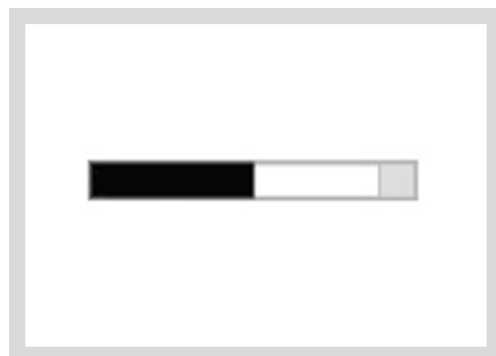
Referentie Référence Reference	Dimensions				Flange / Diameter
	A	B	C	D	
08PA74	38,1	17,5	9	13	1/2" / 30.2mm
12PA74	47,6	22,3	11	14	3/4" / 38.1mm
16PA74	52,4	26,2	11	16	1" / 44.5mm
20PA74	58,7	30,2	11	16	1 1/4" / 50.8mm
24PA74	69,9	35,7	13	16	1 1/2" / 60.3mm
32PA74	77,8	42,9	13	16	2" / 71.4mm
40PA74	88,9	50,8	13	19	2 1/2" / 84.1mm

..PA77



O-RING SAE-FLENZEN
JOINT BRIDES SAE
O-RING FOR SAE FLANGE

Referentie Référence Reference	Dimensions	
	mm	Flange / Diameter
08PA77	19 x 3.55	1/2" / 30.2mm
12PA77	25 x 3.55	3/4" / 38.1m
16PA77	32.5 x 3.55	1" / 44.5mm
20PA77	37.5 x 3.55	1 1/4" / 50.8mm
24PA77	47.5 x 3.55	1 1/2" / 60.3mm
32PA77	56 x 3.55	2" / 71.4mm



..PA77-SQUARE

QUAD-RING SAE-FLENZEN
JOINT CARRÉ BRIDES SAE
SQUARE O-RING FOR SAE FLANGE

Referentie Référence Reference	Dimensions	
	mm	Flange / Diameter
08PA77-SQUARE	19 x 3.55	1/2" / 30.2mm
12PA77-SQUARE	25 x 3.55	3/4" / 38.1m
16PA77-SQUARE	32.5 x 3.55	1" / 44.5mm
20PA77-SQUARE	37.5 x 3.55	1 1/4" / 50.8mm
24PA77-SQUARE	47.5 x 3.55	1 1/2" / 60.3mm
32PA77-SQUARE	56 x 3.55	2" / 71.4mm