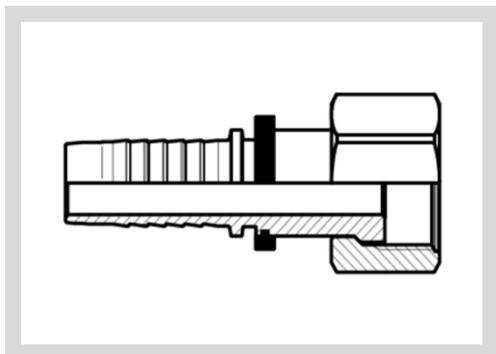


# EC..MORS

## M-ORFS

ORFS MANNELIJK  
ORFS MÂLE  
ORFS MALE

Referentie Référence Reference					
	DN	MM	INCH	M-ORFS	BAR
EC0404MORS	6	6,4	1/4"	9/16" - 18	450
EC0406MORS	6	6,4	1/4"	11/16" - 16	450
EC0506MORS	8	8,0	5/16"	11/16" - 16	350
EC0606MORS	10	9,5	3/8"	11/16" - 16	450
EC0608MORS	10	9,5	3/8"	13/16" - 16	450
EC0610MORS	10	9,5	3/8"	1" - 14	450
EC0808MORS	12	12,7	1/2"	13/16" - 16	415
EC0810MORS	12	12,7	1/2"	1" - 14	415
EC0812MORS	12	12,7	1/2"	1 3/16" - 12	415
EC1010MORS	16	16,0	5/8"	1" - 14	350
EC1012MORS	16	16,0	5/8"	1 3/16" - 14	350
EC1212MORS	20	19,0	3/4"	1 3/16" - 14	350
EC1216MORS	20	19,0	3/4"	1 7/16" - 12	350
EC1616MORS	25	25,4	1"	1 7/16" - 12	280
EC2020MORS	32	31,8	1 1/4"	1 11/16" - 12	210
EC2424MORS	38	38,1	1 1/2"	2" - 12	185

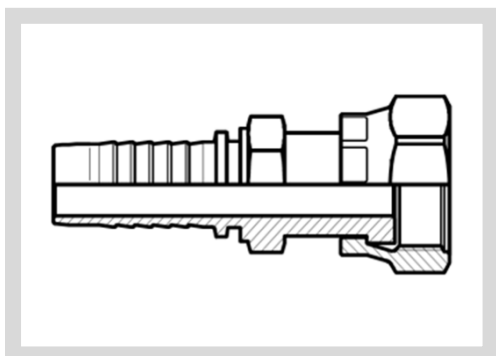


# EC..NORS

## F-ORFS

ORFS LOSSE MOER  
ORFS ECROU TOURNANT  
ORFS SWIVEL

Referentie Référence Reference					
	DN	MM	INCH	F-ORFS	BAR
EC0404NORS	6	6,4	1/4"	9/16" - 18	450
EC0406NORS	6	6,4	1/4"	11/16" - 16	450
EC0506NORS	8	8,0	5/16"	11/16" - 16	350
EC0606NORS	10	9,5	3/8"	11/16" - 16	450
EC0608NORS	10	9,5	3/8"	13/16" - 16	450
EC0610NORS	10	9,5	3/8"	1" - 14	450
EC0808NORS	12	12,7	1/2"	13/16" - 16	415
EC0810NORS	12	12,7	1/2"	1" - 14	415
EC0812NORS	12	12,7	1/2"	1 3/16" - 12	415
EC1010NORS	16	16,0	5/8"	1" - 14	350
EC1012NORS	16	16,0	5/8"	1 3/16" - 14	350
EC1212NORS	20	19,0	3/4"	1 3/16" - 14	350
EC1216NORS	20	19,0	3/4"	1 7/16" - 12	350
EC1616NORS	25	25,4	1"	1 7/16" - 12	280
EC1620NORS	25	25,4	1"	1 11/16" - 12	280
EC2020NORS	32	31,8	1 1/4"	1 11/16" - 12	210
EC2424NORS	38	38,1	1 1/2"	2" - 12	185

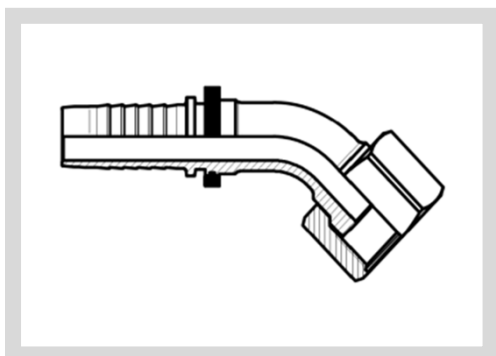


# EC..NORS(Z)

## F-ORFS

ORFS LOSSE MOER MET ZESKANT  
ORFS ECROU TOURNANT AVEC  
HEXAGONE  
ORFS SWIVEL WITH HEXAGON

Referentie Référence Reference						
	DN	MM	INCH	F-ORFS	BAR	
EC0404NORS(Z)	6	6,4	1/4"	9/16" - 18	450	
EC0406NORS(Z)	6	6,4	1/4"	11/16" - 16	450	
EC0504NORS(Z)	8	8,0	5/16"	9/16" - 18	350	
EC0506NORS(Z)	8	8,0	5/16"	11/16" - 16	350	
EC0604NORS(Z)	10	9,5	3/8"	9/16" - 18	450	
EC0606NORS(Z)	10	9,5	3/8"	11/16" - 16	450	
EC0608NORS(Z)	10	9,5	3/8"	13/16" - 16	450	
EC0806NORS(Z)	12	12,7	1/2"	11/16" - 16	415	
EC0808NORS(Z)	12	12,7	1/2"	13/16" - 16	415	
EC0810NORS(Z)	12	12,7	1/2"	1" - 14	415	
EC0812NORS(Z)	12	12,7	1/2"	1 3/16" - 12	415	
EC1010NORS(Z)	16	16,0	5/8"	1" - 14	350	
EC1012NORS(Z)	16	16,0	5/8"	1 3/16" - 14	350	
EC1210NORS(Z)	20	19,0	3/4"	1" - 14	350	
EC1212NORS(Z)	20	19,0	3/4"	1 3/16" - 14	350	
EC1216NORS(Z)	20	19,0	3/4"	1 7/16" - 12	350	
EC1612NORS(Z)	25	25,4	1"	1 3/16" - 14	280	
EC1616NORS(Z)	25	25,4	1"	1 7/16" - 12	280	
EC1620NORS(Z)	25	25,4	1"	1 11/16" - 12	280	
EC2020NORS(Z)	32	31,8	1 1/4"	1 11/16" - 12	210	
EC2424NORS(Z)	38	38,1	1 1/2"	2" - 12	185	

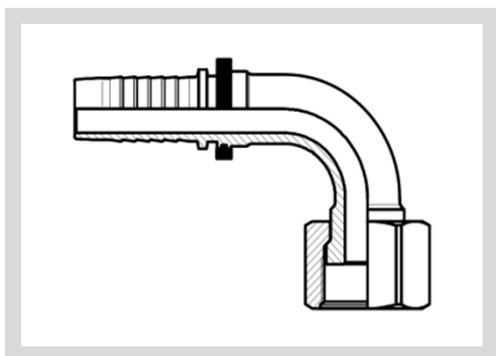


# EC..NORS45

## F-ORFS

ORFS LOSSE MOER 45°  
ORFS ECROU TOURNANT 45°  
ORFS SWIVEL 45°




Referentie Référence Reference						
	DN	MM	INCH	F-ORFS	BAR	
EC0404NORS45	6	6,4	1/4"	9/16" - 18	450	
EC0406NORS45	6	6,4	1/4"	11/16" - 16	450	
EC0504NORS45	8	8,0	5/16"	9/16" - 18	350	
EC0506NORS45	8	8,0	5/16"	11/16" - 16	350	
EC0604NORS45	10	9,5	3/8"	9/16" - 18	450	
EC0606NORS45	10	9,5	3/8"	11/16" - 16	450	
EC0608NORS45	10	9,5	3/8"	13/16" - 16	450	
EC0808NORS45	12	12,7	1/2"	13/16" - 16	415	
EC0810NORS45	12	12,7	1/2"	1" - 14	415	
EC0812NORS45	12	12,7	1/2"	1 3/16" - 12	415	
EC1010NORS45	16	16,0	5/8"	1" - 14	350	
EC1012NORS45	16	16,0	5/8"	1 3/16" - 14	350	
EC1212NORS45	20	19,0	3/4"	1 3/16" - 14	350	
EC1216NORS45	20	19,0	3/4"	1 7/16" - 12	350	
EC1616NORS45	25	25,4	1"	1 7/16" - 12	280	
EC1620NORS45	25	25,4	1"	1 11/16" - 12	280	
EC2020NORS45	32	31,8	1 1/4"	1 11/16" - 12	210	
EC2424NORS45	38	38,1	1 1/2"	2" - 12	185	

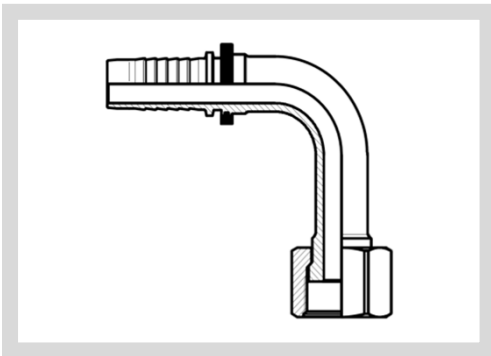


# EC..NORS90

## F-ORFS

ORFS LOSSE MOER 90°  
ORFS ECROU TOURNANT 90°  
ORFS SWIVEL 90°

Referentie Référence Reference					
	DN	MM	INCH	F-ORFS	BAR
EC0404NORS90	6	6,4	1/4"	9/16" - 18	450
EC0406NORS90	6	6,4	1/4"	11/16" - 16	450
EC0504NORS90	8	8,0	5/16"	9/16" - 18	350
EC0506NORS90	8	8,0	5/16"	11/16" - 16	350
EC0604NORS90	10	9,5	3/8"	9/16" - 18	450
EC0606NORS90	10	9,5	3/8"	11/16" - 16	450
EC0608NORS90	10	9,5	3/8"	13/16" - 16	450
EC0808NORS90	12	12,7	1/2"	13/16" - 16	415
EC0810NORS90	12	12,7	1/2"	1" - 14	415
EC0812NORS90	12	12,7	1/2"	1 3/16" - 12	415
EC1010NORS90	16	16,0	5/8"	1" - 14	350
EC1012NORS90	16	16,0	5/8"	1 3/16" - 14	350
EC1212NORS90	20	19,0	3/4"	1 3/16" - 14	350
EC1216NORS90	20	19,0	3/4"	1 7/16" - 12	350
EC1616NORS90	25	25,4	1"	1 7/16" - 12	350
EC1620NORS90	25	25,4	1"	1 11/16" - 12	280
EC2020NORS90	32	31,8	1 1/4"	1 11/16" - 12	210
EC2424NORS90	38	38,1	1 1/2"	2" - 12	185



# EC..NORS90L

## F-ORFS

ORFS LOSSE MOER 90° - LANG  
ORFS ECROU TOURNANT 90° - LONG  
ORFS SWIVEL 90° - LONG DROP

Referentie Référence Reference					
	DN	MM	INCH	F-ORFS	BAR
EC0404NORS90L46	6	6,4	1/4"	9/16" - 18	450
EC0406NORS90L54	6	6,4	1/4"	11/16" - 16	450
EC0606NORS90L54	10	9,5	3/8"	11/16" - 16	450
EC0608NORS90L64	10	9,5	3/8"	13/16" - 16	450
EC0808NORS90L64	12	12,7	1/2"	13/16" - 16	415
EC0810NORS90L70	12	12,7	1/2"	1" - 14	415
EC1010NORS90L70	16	16,0	5/8"	1" - 14	350
EC1212NORS90L96	20	19,0	3/4"	1 3/16" - 14	350
EC1616NORS90L114	25	25,4	1"	1 7/16" - 12	280