

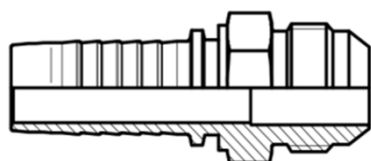
# EC..MJ

**M-JIC**

JIC MANNELIJK

JIC MÅLE

JIC MALE

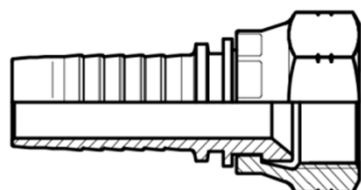





Referentie Référence Reference					
	DN	MM	INCH	M-JIC	BAR
EC0304MJ	5	4,8	3/16"	7/16" - 20	415
EC0305MJ	5	4,8	3/16"	1/2" - 20	415
EC0404MJ	6	6,4	1/4"	7/16" - 20	400
EC0405MJ	6	6,4	1/4"	1/2" - 20	400
EC0406MJ	6	6,4	1/4"	9/16" - 18	350
EC0505MJ	8	8,0	5/16"	1/2" - 20	350
EC0506MJ	8	8,0	5/16"	9/16" - 18	350
EC0508MJ	8	8,0	5/16"	3/4" - 16	350
EC0606MJ	10	9,5	3/8"	9/16" - 18	350
EC0608MJ	10	9,5	3/8"	3/4" - 16	350
EC0610MJ	10	9,5	3/8"	7/8" - 14	350
EC0808MJ	12	12,7	1/2"	3/4" - 16	350
EC0810MJ	12	12,7	1/2"	7/8" - 14	350
EC0812MJ	12	12,7	1/2"	1 1/16" - 12	350
EC1010MJ	16	16,0	5/8"	7/8" - 14	350
EC1012MJ	16	16,0	5/8"	1 1/16" - 12	350
EC1210MJ	20	19,0	3/4"	7/8" - 14	350
EC1212MJ	20	19,0	3/4"	1 1/16" - 12	350
EC1214MJ	20	19,0	3/4"	1 3/16" - 12	280
EC1216MJ	20	19,0	3/4"	1 5/16" - 12	280
EC1612MJ	25	25,4	1"	1 1/16" - 12	280
EC1616MJ	25	25,4	1"	1 5/16" - 12	280
EC1620MJ	25	25,4	1"	1 5/8" - 12	280
EC2020MJ	32	31,8	1 1/4"	1 5/8" - 12	210
EC2024MJ	32	31,8	1 1/4"	1 7/8" - 12	185
EC2424MJ	38	38,1	1 1/2"	1 7/8" - 12	185
EC3232MJ	50	50,8	2"	2 1/2" - 12	175

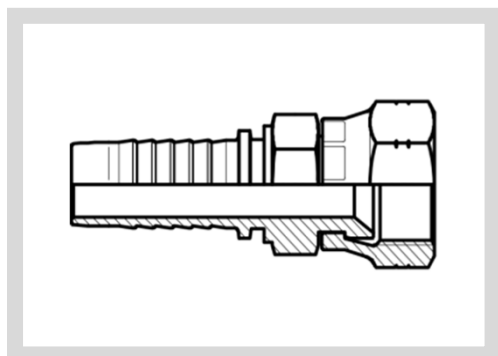
# EC..NJ

## F-JIC

JIC LOSSE MOER  
JIC ECROU TOURNANT  
JIC SWIVEL






Referentie Référence Reference					
	DN	MM	INCH	F-JIC	BAR
EC0304NJ	5	4,8	3/16"	7/16" - 20	415
EC0305NJ	5	4,8	3/16"	1/2" - 20	415
EC0404NJ	6	6,4	1/4"	7/16" - 20	400
EC0405NJ	6	6,4	1/4"	1/2" - 20	400
EC0406NJ	6	6,4	1/4"	9/16" - 18	350
EC0505NJ	8	8,0	5/16"	1/2" - 20	350
EC0506NJ	8	8,0	5/16"	9/16" - 18	350
EC0508NJ	8	8,0	5/16"	3/4" - 16	350
EC0606NJ	10	9,5	3/8"	9/16" - 18	350
EC0608NJ	10	9,5	3/8"	3/4" - 16	350
EC0610NJ	10	9,5	3/8"	7/8" - 14	350
EC0808NJ	12	12,7	1/2"	3/4" - 16	350
EC0810NJ	12	12,7	1/2"	7/8" - 14	350
EC0812NJ	12	12,7	1/2"	1 1/16" - 12	350
EC1010NJ	16	16,0	5/8"	7/8" - 14	350
EC1012NJ	16	16,0	5/8"	1 1/16" - 12	350
EC1210NJ	20	19,0	3/4"	7/8" - 14	350
EC1212NJ	20	19,0	3/4"	1 1/16" - 12	350
EC1214NJ	20	19,0	3/4"	1 3/16" - 12	280
EC1216NJ	20	19,0	3/4"	1 5/16" - 12	280
EC1612NJ	25	25,4	1"	1 1/16" - 12	280
EC1616NJ	25	25,4	1"	1 5/16" - 12	280
EC1620NJ	25	25,4	1"	1 5/8" - 12	210
EC2020NJ	32	31,8	1 1/4"	1 5/8" - 12	210
EC2024NJ	32	31,8	1 1/4"	1 7/8" - 12	185
EC2424NJ	38	38,1	1 1/2"	1 7/8" - 12	185
EC3232NJ	50	50,8	2"	2 1/2" - 12	175

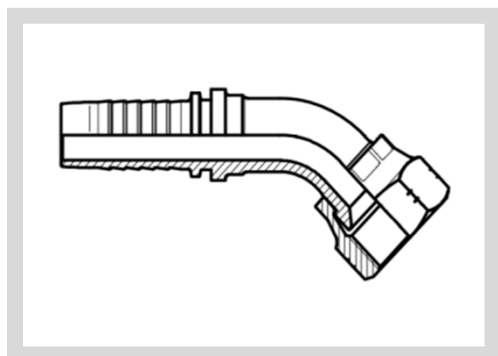


# EC..NJ(Z)

## F-JIC

JIC LOSSE MOER MET ZESKANT  
JIC ECROU TOURNANT AVEC HEXAGONE  
JIC SWIVEL WITH HEXAGON




Referentie Référence Reference					
	DN	MM	INCH	F-JIC	BAR
EC0304NJ(Z)	5	4,8	3/16"	7/16" - 20	415
EC0404NJ(Z)	6	6,4	1/4"	7/16" - 20	415
EC0405NJ(Z)	6	6,4	1/4"	1/2" - 20	400
EC0406NJ(Z)	6	6,4	1/4"	9/16" - 18	350
EC0505NJ(Z)	8	8,0	5/16"	1/2" - 20	350
EC0506NJ(Z)	8	8,0	5/16"	9/16" - 18	350
EC0604NJ(Z)	10	9,5	3/8"	7/16" - 20	350
EC0605NJ(Z)	10	9,5	3/8"	1/2" - 20	350
EC0606NJ(Z)	10	9,5	3/8"	9/16" - 18	350
EC0608NJ(Z)	10	9,5	3/8"	3/4" - 16	350
EC0610NJ(Z)	10	9,5	3/8"	7/8" - 14	350
EC0806NJ(Z)	12	12,7	1/2"	9/16" - 18	350
EC0808NJ(Z)	12	12,7	1/2"	3/4" - 16	350
EC0810NJ(Z)	12	12,7	1/2"	7/8" - 14	350
EC0812NJ(Z)	12	12,7	1/2"	1 1/16" - 12	350
EC1008NJ(Z)	16	16,0	5/8"	3/4" - 16	350
EC1010NJ(Z)	16	16,0	5/8"	7/8" - 14	350
EC1012NJ(Z)	16	16,0	5/8"	1 1/16" - 12	350
EC1210NJ(Z)	20	19,0	3/4"	7/8" - 14	350
EC1212NJ(Z)	20	19,0	3/4"	1 1/16" - 12	350
EC1214NJ(Z)	20	19,0	3/4"	1 3/16" - 12	280
EC1216NJ(Z)	20	19,0	3/4"	1 5/16" - 12	280
EC1612NJ(Z)	25	25,4	1"	1 1/16" - 12	280
EC1616NJ(Z)	25	25,4	1"	1 5/16" - 12	280
EC1620NJ(Z)	25	25,4	1"	1 5/8" - 12	210
EC2020NJ(Z)	32	31,8	1 1/4"	1 5/8" - 12	210
EC2424NJ(Z)	38	38,1	1 1/2"	1 7/8" - 12	185
EC3232NJ(Z)	50	50,8	2"	2 1/2" - 12	175

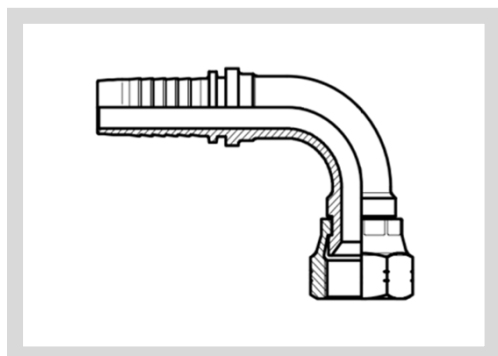


# EC..NJ45

## F-JIC

JIC LOSSE MOER 45°  
JIC ECROU TOURNANT 45°  
JIC SWIVEL 45°

Referentie Référence Reference					
	DN	MM	INCH	F-JIC	BAR
EC0304NJ45	5	4,8	3/16"	7/16" - 20	415
EC0305NJ45	5	4,8	3/16"	1/2" - 20	415
EC0404NJ45	6	6,4	1/4"	7/16" - 20	400
EC0405NJ45	6	6,4	1/4"	1/2" - 20	400
EC0406NJ45	6	6,4	1/4"	9/16" - 18	350
EC0505NJ45	8	8,0	5/16"	1/2" - 20	350
EC0506NJ45	8	8,0	5/16"	9/16" - 18	350
EC0508NJ45	8	8,0	5/16"	3/4" - 16	350
EC0606NJ45	10	9,5	3/8"	9/16" - 18	350
EC0608NJ45	10	9,5	3/8"	3/4" - 16	350
EC0610NJ45	10	9,5	3/8"	7/8" - 14	350
EC0808NJ45	12	12,7	1/2"	3/4" - 16	350
EC0810NJ45	12	12,7	1/2"	7/8" - 14	350
EC0812NJ45	12	12,7	1/2"	1 1/16" - 12	350
EC1010NJ45	16	16,0	5/8"	7/8" - 14	350
EC1012NJ45	16	16,0	5/8"	1 1/16" - 12	350
EC1210NJ45	20	19,0	3/4"	7/8" - 14	350
EC1212NJ45	20	19,0	3/4"	1 1/16" - 12	350
EC1214NJ45	20	19,0	3/4"	1 3/16" - 12	280
EC1216NJ45	20	19,0	3/4"	1 5/16" - 12	280
EC1612NJ45	25	25,4	1"	1 1/16" - 12	280
EC1616NJ45	25	25,4	1"	1 5/16" - 12	210
EC1620NJ45	25	25,4	1"	1 5/8" - 12	210
EC2020NJ45	32	31,8	1 1/4"	1 5/8" - 12	210
EC2024NJ45	32	31,8	1 1/4"	1 7/8" - 12	185
EC2424NJ45	38	38,1	1 1/2"	1 7/8" - 12	185
EC3232NJ45	50	50,8	2"	2 1/2" - 12	175

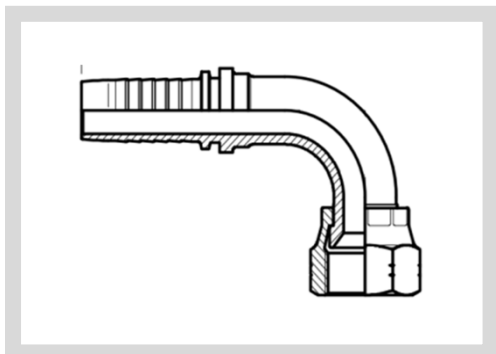


# EC..NJ90

## F-JIC

JIC LOSSE MOER 90°  
JIC ECROU TOURNANT 90°  
JIC SWIVEL 90°

Referentie Référence Reference					
	DN	MM	INCH	F-JIC	BAR
EC0304NJ90	5	4,8	3/16"	7/16" - 20	415
EC0404NJ90	6	6,4	1/4"	7/16" - 20	415
EC0405NJ90	6	6,4	1/4"	1/2" - 20	400
EC0406NJ90	6	6,4	1/4"	9/16" - 18	350
EC0505NJ90	8	8,0	5/16"	1/2" - 20	350
EC0506NJ90	8	8,0	5/16"	9/16" - 18	350
EC0606NJ90	10	9,5	3/8"	9/16" - 18	350
EC0608NJ90	10	9,5	3/8"	3/4" - 16	350
EC0808NJ90	12	12,7	1/2"	3/4" - 16	350
EC0810NJ90	12	12,7	1/2"	7/8" - 14	350
EC1010NJ90	16	16,0	5/8"	7/8" - 14	350
EC1012NJ90	16	16,0	5/8"	1 1/16" - 12	350
EC1210NJ90	20	19,0	3/4"	7/8" - 14	350
EC1212NJ90	20	19,0	3/4"	1 1/16" - 12	350
EC1214NJ90	20	19,0	3/4"	1 3/16" - 12	280
EC1216NJ90	20	19,0	3/4"	1 5/16" - 12	280
EC1612NJ90	25	25,4	1"	1 1/16" - 12	280
EC1616NJ90	25	25,4	1"	1 5/16" - 12	280
EC1620NJ90	25	25,4	1"	1 5/8" - 12	210
EC2020NJ90	32	31,8	1 1/4"	1 5/8" - 12	210
EC2024NJ90	32	31,8	1 1/4"	1 7/8" - 12	185
EC2424NJ90	38	38,1	1 1/2"	1 7/8" - 12	185
EC3232NJ90	50	50,8	2"	2 1/2" - 12	175

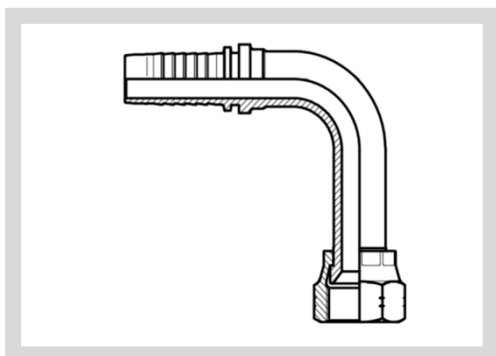


# EC..NJ90S

## F-JIC

JIC LOSSE MOER 90° - KORT  
JIC ECROU TOURNANT 90° - COURT  
JIC SWIVEL 90° - SHORT




Referentie Référence Reference					
	DN	MM	INCH	F-JIC	BAR
EC0304NJ90S18	5	4,8	3/16"	7/16" - 20	415
EC0305NJ90S19	5	4,8	3/16"	1/2" - 20	415
EC0404NJ90S20	6	6,4	1/4"	7/16" - 20	400
EC0405NJ90S21	6	6,4	1/4"	1/2" - 20	400
EC0406NJ90S23	6	6,4	1/4"	9/16" - 18	350
EC0505NJ90S22	8	8,0	5/16"	1/2" - 20	350
EC0506NJ90S24	8	8,0	5/16"	9/16" - 18	350
EC0508NJ90S27	8	8,0	5/16"	3/4" - 16	350
EC0606NJ90S23	10	9,5	3/8"	9/16" - 18	350
EC0608NJ90S29	10	9,5	3/8"	3/4" - 16	350
EC0610NJ90S31	10	9,5	3/8"	7/8" - 14	350
EC0808NJ90S29	12	12,7	1/2"	3/4" - 16	350
EC0810NJ90S33	12	12,7	1/2"	7/8" - 14	350
EC0812NJ90S40	12	12,7	1/2"	1 1/16" - 12	350
EC1010NJ90S33	16	16,0	5/8"	7/8" - 14	350
EC1012NJ90S40	16	16,0	5/8"	1 1/16" - 12	350
EC1212NJ90S43	20	19,0	3/4"	1 1/16" - 12	350
EC1214NJ90S47	20	19,0	3/4"	1 3/16" - 12	280
EC1216NJ90S49	20	19,0	3/4"	1 5/16" - 12	280
EC1616NJ90S56	25	25,4	1"	1 5/16" - 12	280
EC1620NJ90S61	25	25,4	1"	1 5/8" - 12	210



# EC..NJ90L

## F-JIC

JIC LOSSE MOER 90° - LANG  
JIC ECROU TOURNANT 90° - LONG  
JIC SWIVEL 90° - LONG DROP

Referentie Référence Reference					
	DN	MM	INCH	F-JIC	BAR
EC0304NJ90L46	5	4,8	3/16"	7/16" - 20	415
EC0404NJ90L46	6	6,4	1/4"	7/16" - 20	400
EC0405NJ90L46	6	6,4	1/4"	1/2" - 20	400
EC0406NJ90L54	6	6,4	1/4"	9/16" - 18	350
EC0505NJ90L46	8	8,0	5/16"	1/2" - 20	350
EC0506NJ90L54	8	8,0	5/16"	9/16" - 18	350
EC0606NJ90L54	10	9,5	3/8"	9/16" - 18	350
EC0608NJ90L64	10	9,5	3/8"	3/4" - 16	350
EC0808NJ90L64	12	12,7	1/2"	3/4" - 16	350
EC0810NJ90L70	12	12,7	1/2"	7/8" - 14	350
EC1010NJ90L70	16	16,0	5/8"	7/8" - 14	350
EC1012NJ90L96	16	16,0	5/8"	1 1/16" - 12	350
EC1212NJ90L96	20	19,0	3/4"	1 1/16" - 12	350
EC1214NJ90L96	20	19,0	3/4"	1 3/16" - 12	280
EC1216NJ90L114	20	19,0	3/4"	1 5/16" - 12	280
EC1616NJ90L114	25	25,4	1"	1 5/16" - 12	280