




EC..MT

M-BSP-T
BSP-T MANNELIJK
BSP-T MÂLE
BSP-T MALE

Referentie Référence Reference					
	DN	MM	INCH	MBS-P-T	MAX.
EC0302MT	5	4,8	3/16"	1/8" - 28	350
EC0304MT	5	4,8	3/16"	1/4" - 19	350
EC0402MT	6	6,4	1/4"	1/8" - 28	350
EC0404MT	6	6,4	1/4"	1/4" - 19	350
EC0406MT	6	6,4	1/4"	3/8" - 19	280
EC0504MT	8	8,0	5/16"	1/4" - 19	350
EC0506MT	8	8,0	5/16"	3/8" - 19	280
EC0604MT	10	9,5	3/8"	1/4" - 19	350
EC0606MT	10	9,5	3/8"	3/8" - 19	280
EC0608MT	10	9,8	3/8"	1/2" - 14	280
EC0806MT	12	12,7	1/2"	3/8" - 19	280
EC0808MT	12	12,7	1/2"	1/2" - 14	280
EC1008MT	16	16,0	5/8"	1/2" - 14	280
EC1012MT	16	16,0	5/8"	3/4" - 14	280
EC1212MT	19	19,0	3/4"	3/4" - 14	280
EC1216MT	19	19,0	3/4"	1" - 11	280
EC1616MT	25	25,4	1"	1" - 11	280
EC1620MT	25	25,4	1"	1 1/4" - 11	210
EC2020MT	32	31,8	1 1/4"	1 1/4" - 11	210
EC2424MT	38	38,1	1 1/2"	1 1/2" - 11	185
EC3232MT	50	50,8	2"	2" - 11	175

EC..MU




M-BSP-60

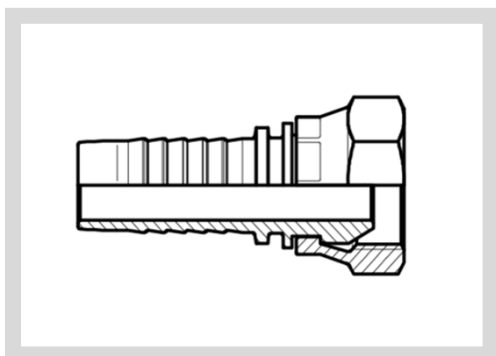
BSP MANNELIJK

BSP MÂLE

BSP MALE



Referentie Référence Reference					
	DN	MM	INCH	M-BSP-60	BAR
EC0302MU	5	4,8	3/16"	1/8" - 28	350
EC0304MU	5	4,8	3/16"	1/4" - 19	415
EC0402MU	6	6,4	1/4"	1/8" - 28	350
EC0404MU	6	6,4	1/4"	1/4" - 19	450
EC0406MU	6	6,4	1/4"	3/8" - 19	450
EC0408MU	6	6,4	1/4"	1/2" - 14	415
EC0504MU	8	8,0	5/16"	1/4" - 19	350
EC0506MU	8	8,0	5/16"	3/8" - 19	350
EC0508MU	8	8,0	5/16"	1/2" - 14	350
EC0604MU	10	9,5	3/8"	1/4" - 19	445
EC0606MU	10	9,5	3/8"	3/8" - 19	445
EC0608MU	10	9,5	3/8"	1/2" - 14	415
EC0806MU	12	12,7	1/2"	3/8" - 19	415
EC0808MU	12	12,7	1/2"	1/2" - 14	415
EC0810MU	12	12,7	1/2"	5/8" - 14	350
EC0812MU	12	12,7	1/2"	3/4" - 14	350
EC1008MU	16	16,0	5/8"	1/2" - 14	350
EC1010MU	16	16,0	5/8"	5/8" - 14	350
EC1012MU	16	16,0	5/8"	3/4" - 14	350
EC1208MU	20	19,0	3/4"	1/2" - 14	350
EC1210MU	20	19,0	3/4"	5/8" - 14	350
EC1212MU	20	19,0	3/4"	3/4" - 14	350
EC1216MU	20	19,0	3/4"	1" - 11	280
EC1612MU	25	25,4	1"	3/4" - 14	280
EC1616MU	25	25,4	1"	1" - 11	280
EC1620MU	25	25,4	1"	1 1/4" - 11	250
EC2020MU	32	31,8	1 1/4"	1 1/4" - 11	210
EC2024MU	32	31,8	1 1/4"	1 1/2" - 11	210
EC2424MU	38	38,1	1 1/2"	1 1/2" - 11	185
EC2432MU	38	38,1	1 1/2"	2" - 11	185
EC3232MU	50	50,8	2"	2" - 11	175

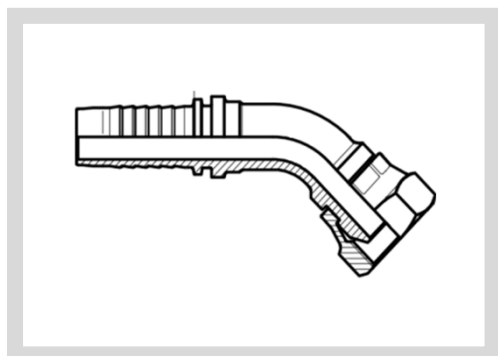


EC..NU

F-BSP-60B

BSP LOSSE MOER
BSP ECROU TOURNANT
BSP SWIVEL

Referentie Référence Reference						
	DN	MM	INCH	F-BSP-60B	BAR	
EC0302NU	5	4,8	3/16"	1/8" - 28	350	
EC0304NU	5	4,8	3/16"	1/4" - 19	415	
EC0402NU	6	6,4	1/4"	1/8" - 28	350	
EC0404NU	6	6,4	1/4"	1/4" - 19	450	
EC0406NU	6	6,4	1/4"	3/8" - 19	450	
EC0408NU	6	6,4	1/4"	1/2" - 14	450	
EC0504NU	8	8,0	5/16"	1/4" - 19	350	
EC0506NU	8	8,0	5/16"	3/8" - 19	350	
EC0508NU	8	8,0	5/16"	1/2" - 14	350	
EC0604NU	10	9,5	3/8"	1/4" - 19	445	
EC0606NU	10	9,5	3/8"	3/8" - 19	445	
EC0608NU	10	9,5	3/8"	1/2" - 14	415	
EC0806NU	12	12,7	1/2"	3/8" - 19	415	
EC0808NU	12	12,7	1/2"	1/2" - 14	415	
EC0810NU	12	12,7	1/2"	5/8" - 14	350	
EC0812NU	12	12,7	1/2"	3/4" - 14	350	
EC1008NU	16	16,0	5/8"	1/2" - 14	350	
EC1010NU	16	16,0	5/8"	5/8" - 14	350	
EC1012NU	16	16,0	5/8"	3/4" - 14	350	
EC1208NU	20	19,0	3/4"	1/2" - 14	350	
EC1210NU	20	19,0	3/4"	5/8" - 14	350	
EC1212NU	20	19,0	3/4"	3/4" - 14	350	
EC1216NU	20	19,0	3/4"	1" - 11	280	
EC1612NU	25	25,4	1"	3/4" - 14	280	
EC1616NU	25	25,4	1"	1" - 11	280	
EC1620NU	25	25,4	1"	1 1/4" - 11	250	
EC2020NU	32	31,8	1 1/4"	1 1/4" - 11	210	
EC2024NU	32	31,8	1 1/4"	1 1/2" - 11	210	
EC2424NU	38	38,1	1 1/2"	1 1/2" - 11	185	
EC2432NU	38	38,1	1 1/2"	2" - 11	185	
EC3232NU	50	50,8	2"	2" - 11	175	

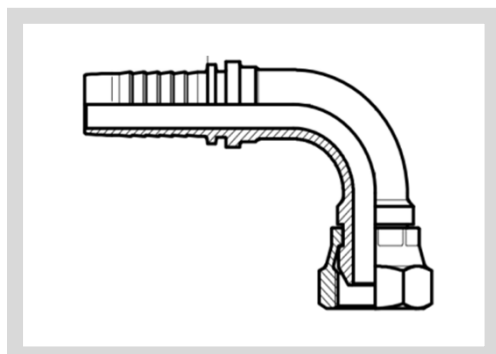


EC..NU45

F-BSP-60B

BSP LOSSE MOER 45°
BSP ECROU TOURNANT 45°
BSP SWIVEL 45°




Referentie Référence Reference					
	DN	MM	INCH	F-BSP-60B	BAR
EC0302NU45	5	4,8	3/16"	1/8" - 28	350
EC0304NU45	5	4,8	3/16"	1/4" - 19	415
EC0402NU45	6	6,4	1/4"	1/8" - 28	350
EC0404NU45	6	6,4	1/4"	1/4" - 19	450
EC0406NU45	6	6,4	1/4"	3/8" - 19	450
EC0408NU45	6	6,4	1/4"	1/2" - 14	450
EC0504NU45	8	8,0	5/16"	1/4" - 19	350
EC0506NU45	8	8,0	5/16"	3/8" - 19	350
EC0508NU45	8	8,0	5/16"	1/2" - 14	350
EC0604NU45	10	9,5	3/8"	1/4" - 19	445
EC0606NU45	10	9,5	3/8"	3/8" - 19	445
EC0608NU45	10	9,5	3/8"	1/2" - 14	415
EC0806NU45	12	12,7	1/2"	3/8" - 19	415
EC0808NU45	12	12,7	1/2"	1/2" - 14	415
EC0810NU45	12	12,7	1/2"	5/8" - 14	350
EC0812NU45	12	12,7	1/2"	3/4" - 14	350
EC1008NU45	16	16,0	5/8"	1/2" - 14	350
EC1010NU45	16	16,0	5/8"	5/8" - 14	350
EC1012NU45	16	16,0	5/8"	3/4" - 14	350
EC1208NU45	20	19,0	3/4"	1/2" - 14	350
EC1210NU45	20	19,0	3/4"	5/8" - 14	350
EC1212NU45	20	19,0	3/4"	3/4" - 14	350
EC1216NU45	20	19,0	3/4"	1" - 11	280
EC1612NU45	25	25,4	1"	3/4" - 14	280
EC1616NU45	25	25,4	1"	1" - 11	280
EC1620NU45	25	25,4	1"	1 1/4" - 11	250
EC2020NU45	32	31,8	1 1/4"	1 1/4" - 11	210
EC2024NU45	32	31,8	1 1/4"	1 1/2" - 11	210
EC2424NU45	38	38,1	1 1/2"	1 1/2" - 11	185
EC2432NU45	38	38,1	1 1/2"	2" - 11	185
EC3232NU45	50	50,8	2"	2" - 11	175

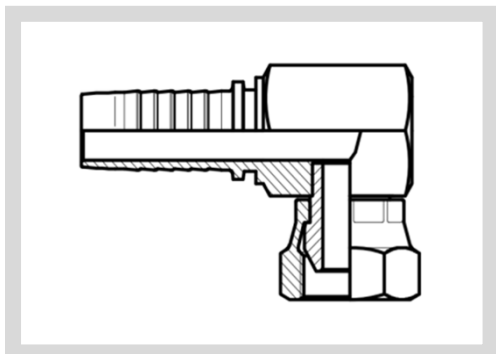


EC..NU90

F-BSP-60B

BSP LOSSE MOER 90°
BSP ECROU TOURNANT 90°
BSP SWIVEL 90°

Referentie Référence Reference					
	DN	MM	INCH	F-BSP-60B	BAR
EC0302NU90	5	4,8	3/16"	1/8" - 28	350
EC0304NU90	5	4,8	3/16"	1/4" - 19	415
EC0402NU90	6	6,4	1/4"	1/8" - 28	350
EC0404NU90	6	6,4	1/4"	1/4" - 19	450
EC0406NU90	6	6,4	1/4"	3/8" - 19	450
EC0408NU90	6	6,4	1/4"	1/2" - 14	450
EC0504NU90	8	8,0	5/16"	1/4" - 19	350
EC0506NU90	8	8,0	5/16"	3/8" - 19	350
EC0508NU90	8	8,0	5/16"	1/2" - 14	350
EC0604NU90	10	9,5	3/8"	1/4" - 19	445
EC0606NU90	10	9,5	3/8"	3/8" - 19	445
EC0608NU90	10	9,5	3/8"	1/2" - 14	415
EC0806NU90	12	12,7	1/2"	3/8" - 19	415
EC0808NU90	12	12,7	1/2"	1/2" - 14	415
EC0810NU90	12	12,7	1/2"	5/8" - 14	350
EC0812NU90	12	12,7	1/2"	3/4" - 14	350
EC1008NU90	16	16,0	5/8"	1/2" - 14	350
EC1010NU90	16	16,0	5/8"	5/8" - 14	350
EC1012NU90	16	16,0	5/8"	3/4" - 14	350
EC1208NU90	20	19,0	3/4"	1/2" - 14	350
EC1210NU90	20	19,0	3/4"	5/8" - 14	350
EC1212NU90	20	19,0	3/4"	3/4" - 14	350
EC1216NU90	20	19,0	3/4"	1" - 11	280
EC1612NU90	25	25,4	1"	3/4" - 14	280
EC1616NU90	25	25,4	1"	1" - 11	280
EC1620NU90	25	25,4	1"	1 1/4" - 11	250
EC2020NU90	32	31,8	1 1/4"	1 1/4" - 11	210
EC2024NU90	32	31,8	1 1/4"	1 1/2" - 11	210
EC2424NU90	38	38,1	1 1/2"	1 1/2" - 11	185
EC2432NU90	38	38,1	1 1/2"	2" - 11	185
EC3232NU90	50	50,8	2"	2" - 11	175

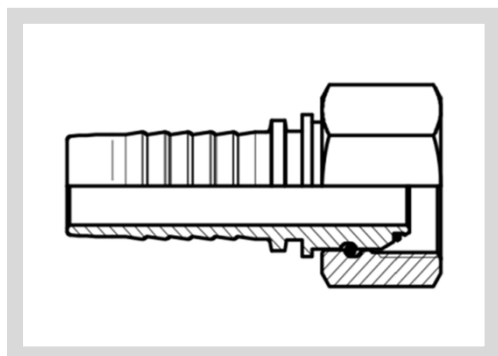


EC..NU90C

F-BSP-60B

BSP LOSSE MOER 90° COMPACT
BSP ECROU TOURNANT 90° COMPACT
BSP SWIVEL 90° COMPACT




Referentie Référence Reference					
	DN	MM	INCH	F-BSP-60B	BAR
EC0404NU90C	6	6,4	1/4"	1/4" - 19	450
EC0406NU90C	6	6,4	1/4"	3/8" - 19	450
EC0506NU90C	8	8,0	5/16"	3/8" - 19	350
EC0606NU90C	10	9,5	3/8"	3/8" - 19	445
EC0608NU90C	10	9,5	3/8"	1/2" - 14	415
EC0808NU90C	12	12,7	1/2"	1/2" - 14	415
EC1212NU90C	20	19,0	3/4"	3/4" - 14	350
EC1616NU90C	25	25,4	1"	1" - 11	280

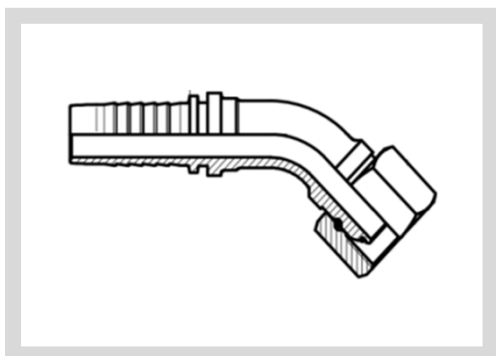


EC..NO

F-BSP-60A

BSP LOSSE MOER MET O-RING
BSP ECROU TOURNANT AVEC JOINT
BSP SWIVEL WITH O-RING

Referentie Référence Reference					
	DN	MM	INCH	F-BSP-60A	BAR
EC0404NO	6	6,4	1/4"	1/4" - 19	450
EC0406NO	6	6,4	1/4"	3/8" - 19	450
EC0506NO	8	8,0	5/16"	3/8" - 19	350
EC0606NO	10	9,5	3/8"	3/8" - 19	445
EC0608NO	10	9,5	3/8"	1/2" - 14	415
EC0808NO	12	12,7	1/2"	1/2" - 14	415
EC0810NO	12	12,7	1/2"	5/8" - 14	350
EC1010NO	16	16,0	5/8"	5/8" - 14	350
EC1012NO	16	16,0	5/8"	3/4" - 14	350
EC1212NO	20	19,0	3/4"	3/4" - 14	350
EC1216NO	20	19,0	3/4"	1" - 11	280
EC1616NO	25	25,4	1"	1" - 11	280
EC1620NO	25	25,4	1"	1 1/4" - 11	250
EC2020NO	32	31,8	1 1/4"	1 1/4" - 11	210
EC2024NO	32	31,8	1 1/4"	1 1/2" - 11	210
EC2424NO	38	38,1	1 1/2"	1 1/2" - 11	185
EC2432NO	38	38,1	1 1/2"	2" - 11	185
EC3232NO	50	50,8	2"	2" - 11	175

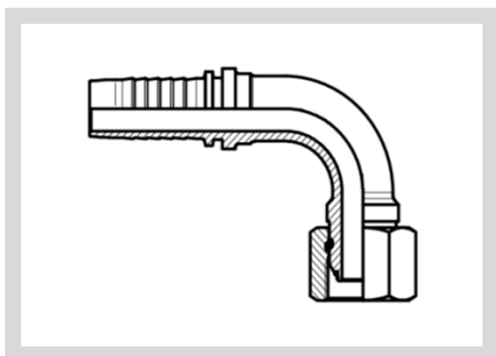


EC..NO45

F-BSP-60A

BSP LOSSE MOER 45° MET O-RING
BSP ECROU TOURNANT 45° AVEC JOINT
BSP SWIVEL 45° WITH O-RING

Referentie Référence Reference						
	DN	MM	INCH	F-BSP-60A	BAR	
EC0404NO45	6	6,4	1/4"	1/4" - 19	450	
EC0406NO45	6	6,4	1/4"	3/8" - 19	450	
EC0506NO45	8	8,0	5/16"	3/8" - 19	350	
EC0606NO45	10	9,5	3/8"	3/8" - 19	445	
EC0608NO45	10	9,5	3/8"	1/2" - 14	415	
EC0808NO45	12	12,7	1/2"	1/2" - 14	415	
EC0810NO45	12	12,7	1/2"	5/8" - 14	350	
EC1010NO45	16	16,0	5/8"	5/8" - 14	350	
EC1012NO45	16	16,0	5/8"	3/4" - 14	350	
EC1212NO45	20	19,0	3/4"	3/4" - 14	350	
EC1216NO45	20	19,0	3/4"	1" - 11	280	
EC1616NO45	25	25,4	1"	1" - 11	280	
EC1620NO45	25	25,4	1"	1 1/4" - 11	250	
EC2020NO45	32	31,8	1 1/4"	1 1/4" - 11	210	
EC2024NO45	32	31,8	1 1/4"	1 1/2" - 11	210	
EC2424NO45	38	38,1	1 1/2"	1 1/2" - 11	185	
EC2432NO45	38	38,1	1 1/2"	2" - 11	185	
EC3232NO45	50	50,8	2"	2" - 11	175	

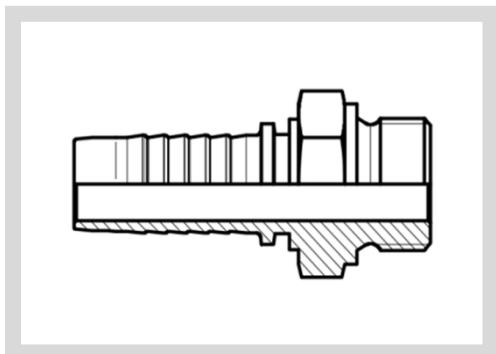


EC..NO90

F-BSP-60A

BSP LOSSE MOER 90° MET O-RING
BSP ECROU TOURNANT 90° AVEC JOINT
BSP SWIVEL 90° WITH O-RING

Referentie Référence Reference					
	DN	MM	INCH	F-BSP-60A	BAR
EC0404NO90	6	6,4	1/4"	1/4" - 19	450
EC0406NO90	6	6,4	1/4"	3/8" - 19	450
EC0506NO90	8	8,0	5/16"	3/8" - 19	350
EC0606NO90	10	9,5	3/8"	3/8" - 19	445
EC0608NO90	10	9,5	3/8"	1/2" - 14	415
EC0808NO90	12	12,7	1/2"	1/2" - 14	415
EC0810NO90	12	12,7	1/2"	5/8" - 14	350
EC1010NO90	16	16,0	5/8"	5/8" - 14	350
EC1012NO90	16	16,0	5/8"	3/4" - 14	350
EC1212NO90	20	19,0	3/4"	3/4" - 14	350
EC1216NO90	20	19,0	3/4"	1" - 11	280
EC1616NO90	25	25,4	1"	1" - 11	280
EC1620NO90	25	25,4	1"	1 1/4" - 11	250
EC2020NO90	32	31,8	1 1/4"	1 1/4" - 11	210
EC2024NO90	32	31,8	1 1/4"	1 1/2" - 11	210
EC2424NO90	38	38,1	1 1/2"	1 1/2" - 11	185
EC2432NO90	38	38,1	1 1/2"	2" - 11	185
EC3232NO90	50	50,8	2"	2" - 11	175






EC..MUHB

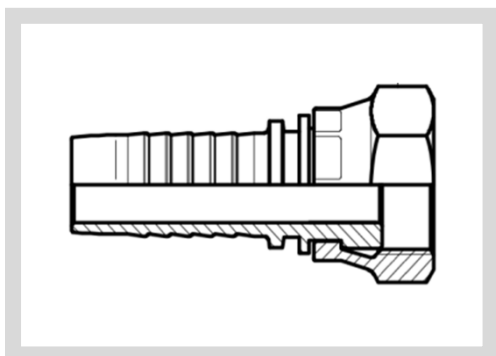
M-BSP-HB

BSP VLAKKE AFDICHTING - MANNELIJK

BSP FOND PLAT – MÂLE

BSP FLAT SEAT - MALE

Referentie Référence Reference					
	DN	MM	INCH	M-BSP-HB	BAR
EC0404MUHB	6	6,4	1/4"	1/4" - 19	450
EC0406MUHB	6	6,4	1/4"	3/8" - 19	450
EC0506MUHB	8	8,0	5/16"	3/8" - 19	350
EC0606MUHB	10	9,5	3/8"	3/8" - 19	445
EC0608MUHB	10	9,5	3/8"	1/2" - 14	415
EC0808MUHB	12	12,7	1/2"	1/2" - 14	415
EC0810MUHB	12	12,7	1/2"	5/8" - 14	350
EC0812MUHB	12	12,7	1/2"	3/4" - 14	350
EC1010MUHB	16	16,0	5/8"	5/8" - 14	350
EC1012MUHB	16	16,0	5/8"	3/4" - 14	350
EC1212MUHB	20	19,0	3/4"	3/4" - 14	350
EC1216MUHB	20	19,0	3/4"	1" - 11	280
EC1616MUHB	25	25,4	1"	1" - 11	280
EC2020MUHB	32	31,8	1 1/4"	1 1/4" - 11	210






EC..NUHB

F-BSP-HB

BSP VLAKKE AFDICHTING - VROUWELIJK

BSP FOND PLAT – ECROU TOURNANT

BSP FLAT SEAT - SWIVEL

Referentie Référence Reference					
	DN	MM	INCH	F-BSP-HB	BAR
EC0404NUHB	6	6,4	1/4"	1/4" - 19	450
EC0406NUHB	6	6,4	1/4"	3/8" - 19	450
EC0506NUHB	8	8,0	5/16"	3/8" - 19	350
EC0606NUHB	10	9,5	3/8"	3/8" - 19	445
EC0608NUHB	10	9,5	3/8"	1/2" - 14	415
EC0808NUHB	12	12,7	1/2"	1/2" - 14	415
EC0810NUHB	12	12,7	1/2"	5/8" - 14	350
EC0812NUHB	12	12,7	1/2"	3/4" - 14	350
EC1010NUHB	16	16,0	5/8"	5/8" - 14	350
EC1012NUHB	16	16,0	5/8"	3/4" - 14	350
EC1212NUHB	20	19,0	3/4"	3/4" - 14	350
EC1216NUHB	20	19,0	3/4"	1" - 11	280
EC1616NUHB	25	25,4	1"	1" - 11	280
EC2020NUHB	32	31,8	1 1/4"	1 1/4" - 11	210