


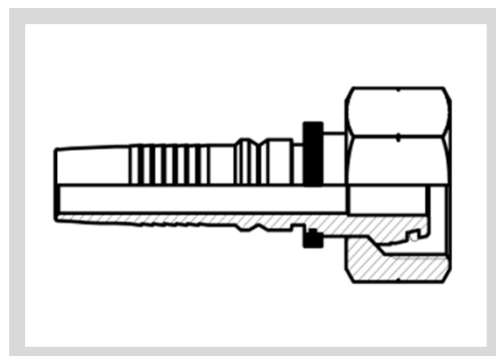


15SH..MZ

M-MET-24

MANNELIJK METRISCH S-SERIE
MÉTRIQUE MÂLE SÉRIE S
METRIC MALE S VERSION




Referentie Référence Reference					
	DN	MM	INCH	M-MET-24	BAR
15SH1220MZ30B	20	19,0	3/4"	M30x2 - 20S	420
15SH1225MZ36B	20	19,0	3/4"	M36x2 - 25S	420
15SH1625MZ36B	25	25,4	1"	M36x2 - 25S	380
15SH1630MZ42B	25	25,4	1"	M42x2 - 30S	380
15SH2030MZ42B	32	31,8	1 1/4"	M42x2 - 30S	325
15SH2038MZ52B	32	31,8	1 1/4"	M52x2 - 38S	325
15SH2438MZ52B	38	38,1	1 1/2"	M52x2 - 38S	290

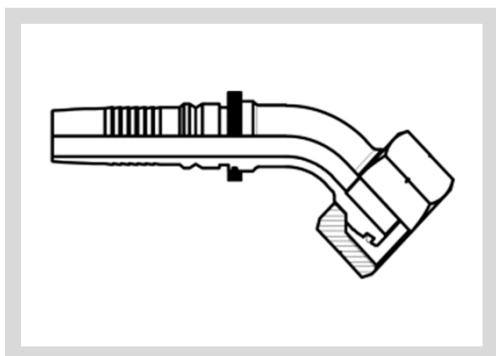


15SH..RO

F-MET-24

VROUWELIJK METRISCH S-SERIE
ECROU TOURNANT MÉTRIQUE SÉRIE S
METRIC SWIVEL S VERSION

Referentie Référence Reference					
	DN	MM	INCH	F-MET-24	BAR
15SH1220RO30B	20	19,0	3/4"	M30x2 - 20S	420
15SH1225RO36B	20	19,0	3/4"	M36x2 - 25S	420
15SH1625RO36B	25	25,4	1"	M36x2 - 25S	380
15SH1630RO42B	25	25,4	1"	M42x2 - 30S	380
15SH2030RO42B	32	31,8	1 1/4"	M42x2 - 30S	325
15SH2038RO52B	32	31,8	1 1/4"	M52x2 - 38S	325
15SH2438RO52B	38	38,1	1 1/2"	M52x2 - 38S	290

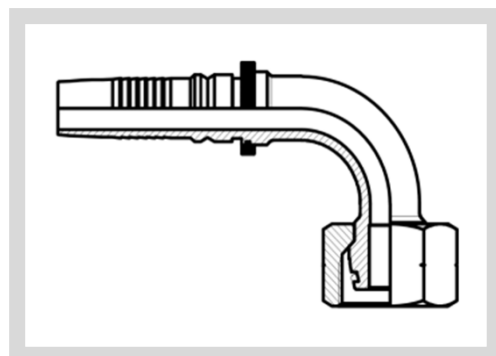


15SH..RO..45

F-MET-24

VROUWELIJK METRISCH 45°
ECROU TOURNANT MÉTRIQUE 45°
SWIVEL METRIC 45° HEAVY DUTY

Referentie Référence Reference					
	DN	MM	INCH	F-MET-24	BAR
15SH1220RO30B45	20	19,0	3/4"	M30x2 - 20S	420
15SH1225RO36B45	20	19,0	3/4"	M36x2 - 25S	420
15SH1625RO36B45	25	25,4	1"	M36x2 - 25S	380
15SH1630RO42B45	25	25,4	1"	M42x2 - 30S	380
15SH2030RO42B45	32	31,8	1 1/4"	M42x2 - 30S	325
15SH2038RO52B45	32	31,8	1 1/4"	M52x2 - 38S	325
15SH2438RO52B45	38	38,1	1 1/2"	M52x2 - 38S	290



15SH..RO..90

F-MET-24

VROUWELIJK METRISCH 90°
ECROU TOURNANT MÉTRIQUE 90°
SWIVEL METRIC 90° HEAVY DUTY

Referentie Référence Reference					
	DN	MM	INCH	F-MET-24	BAR
15SH1220RO30B90	20	19,0	3/4"	M30x2 - 20S	420
15SH1225RO36B90	20	19,0	3/4"	M36x2 - 25S	420
15SH1625RO36B90	25	25,4	1"	M36x2 - 25S	380
15SH1630RO42B90	25	25,4	1"	M42x2 - 30S	380
15SH2030RO42B90	32	31,8	1 1/4"	M42x2 - 30S	325
15SH2038RO52B90	32	31,8	1 1/4"	M52x2 - 38S	325
15SH2438RO52B90	38	38,1	1 1/2"	M52x2 - 38S	290