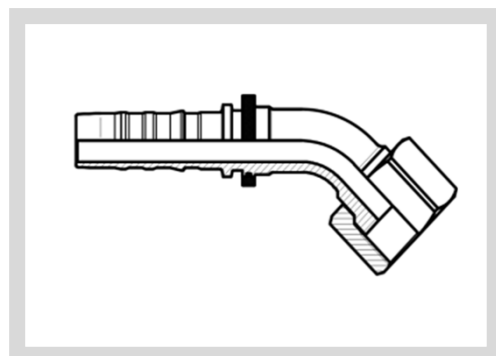


# EH..NORS(Z)

## F-ORFS

VROUWELIJK ORFS – EXTRA ZESKANT  
ORFS ECROU TOURNANT – DOUBLE HEXAGON  
ORFS FEMALE – DOUBLE HEXAGON

Referentie Référence Reference					
	DN	MM	INCH	ORFS	BAR
EH1210NORS(Z)	20	19,0	3/4"	1" - 14	420
EH1212NORS(Z)	20	19,0	3/4"	1 3/16" - 14	420
EH1216NORS(Z)	20	19,0	3/4"	1 7/16" - 12	420
EH1616NORS(Z)	25	25,4	1"	1 7/16" - 12	415
EH1620NORS(Z)	25	25,4	1"	1 11/16" - 12	345
EH2020NORS(Z)	32	31,8	1 1/4"	1 11/16" - 12	345
EH2424NORS(Z)	38	38,1	1 1/2"	2" - 12	290

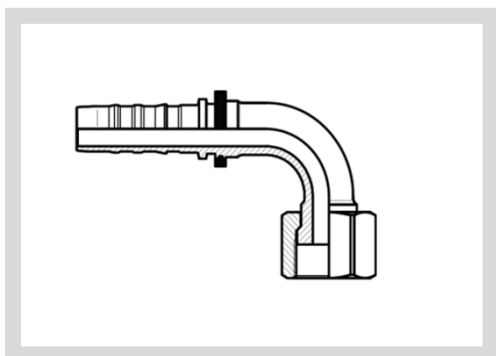


# EH..NORS45

## F-ORFS

VROUWELIJK ORFS 45°  
ORFS ECROU TOURNANT 45°  
ORFS FEMALE 45°

Referentie Référence Reference					
	DN	MM	INCH	ORFS	BAR
EH1212NORS45	20	19,0	3/4"	1 3/16" - 14	420
EH1216NORS45	20	19,0	3/4"	1 7/16" - 12	420
EH1616NORS45	25	25,4	1"	1 7/16" - 12	415
EH1620NORS45	25	25,4	1"	1 11/16" - 12	345
EH2020NORS45	32	31,8	1 1/4"	1 11/16" - 12	345
EH2424NORS45	38	38,1	1 1/2"	2" - 12	290

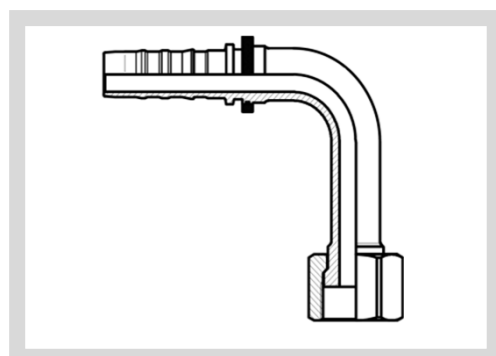


# EH..NORS90

## F-ORFS

VROUWELIJK ORFS 90°  
ORFS ECROU TOURNANT 90°  
ORFS FEMALE 90°

Referentie Référence Reference					
	DN	MM	INCH	ORFS	BAR
EH1212NORS90	20	19,0	3/4"	1 3/16" - 14	420
EH1216NORS90	20	19,0	3/4"	1 7/16" - 12	420
EH1616NORS90	25	25,4	1"	1 7/16" - 12	415
EH1620NORS90	25	25,4	1"	1 11/16" - 12	345
EH2020NORS90	32	31,8	1 1/4"	1 11/16" - 12	345
EH2424NORS90	38	38,1	1 1/2"	2" - 12	290



# EH..NORS90L

## F-ORFS

VROUWELIJK ORFS 90° - LANG  
ORFS ECROU TOURNANT 90° - LONGUE  
ORFS FEMALE 90° - LONG

Referentie Référence Reference					
	DN	MM	INCH	ORFS	BAR
EH1212NORS90L96	20	19,0	3/4"	1 3/16" - 14	420
EH1616NORS90L114	25	25,4	1"	1 7/16" - 12	415
EH2020NORS90L130	32	31,8	1 1/4"	1 11/16" - 12	345
EH2424NORS90L155	38	38,1	1 1/2"	2" - 12	290